

# KNOWLEDGE TRANSFER:

## MHN33 High-Efficiency Front-Load Washer



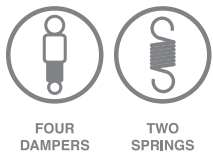
WHAT'S INSIDE MATTERS®

### ADVANCED SPIN TECHNOLOGY

The MHN33's Advanced Spin Technology delivers more accurate cycle times and better unbalanced performance for a variety of load types.\* The six-point suspension, accelerometer, progressive spin logic and pump routine combine to offer enhanced wash performance.



### FEATURES:



FOUR DAMPERS  
TWO SPRINGS

#### 1 Six-Point Suspension

Provides better stability for entire wash unit with four dampers and two springs.



ACCELEROMETER

#### 2 Accelerometer

Provides an accurate reading of cabinet vibration and allows washer to expand final spin speed limits.



PROGRESSIVE SPIN LOGIC

#### 3 Progressive Spin Logic

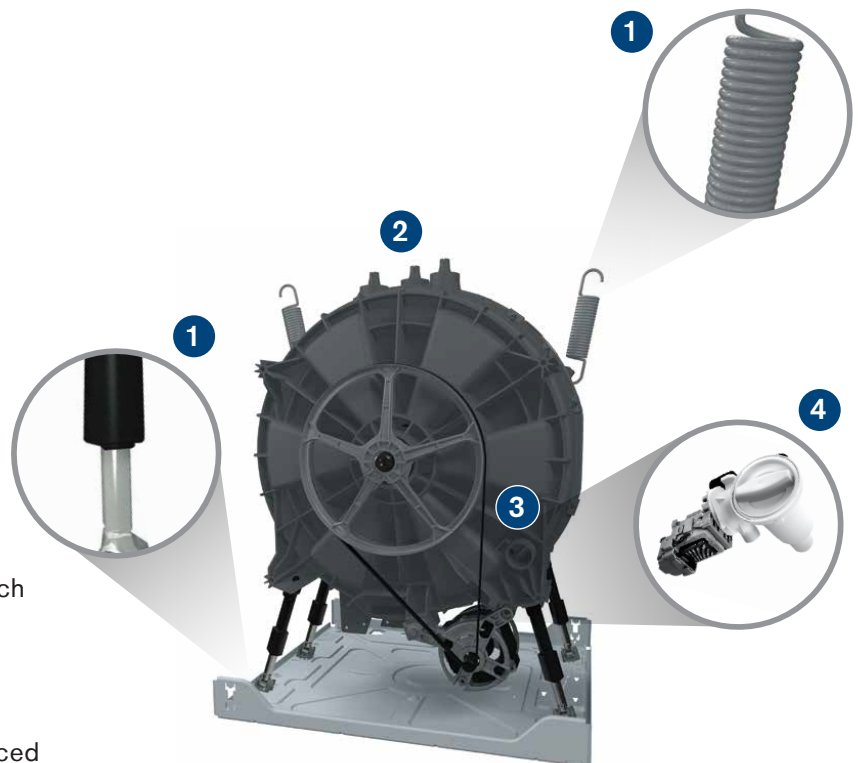
Delivers consistent cycle performance by selecting the optimal final spin speed for each cycle and load type.



PUMP ROUTINE

#### 4 Pump Routine

Helps reduce unbalanced loads through improved pump performance in final spin.



\*Compared to previous model MHN30, based on an 18-lb load.

