

WASHER

Repair Parts List

MODEL NUMBER
MAH14PNSAW

When requesting service or ordering parts, always provide the following information:

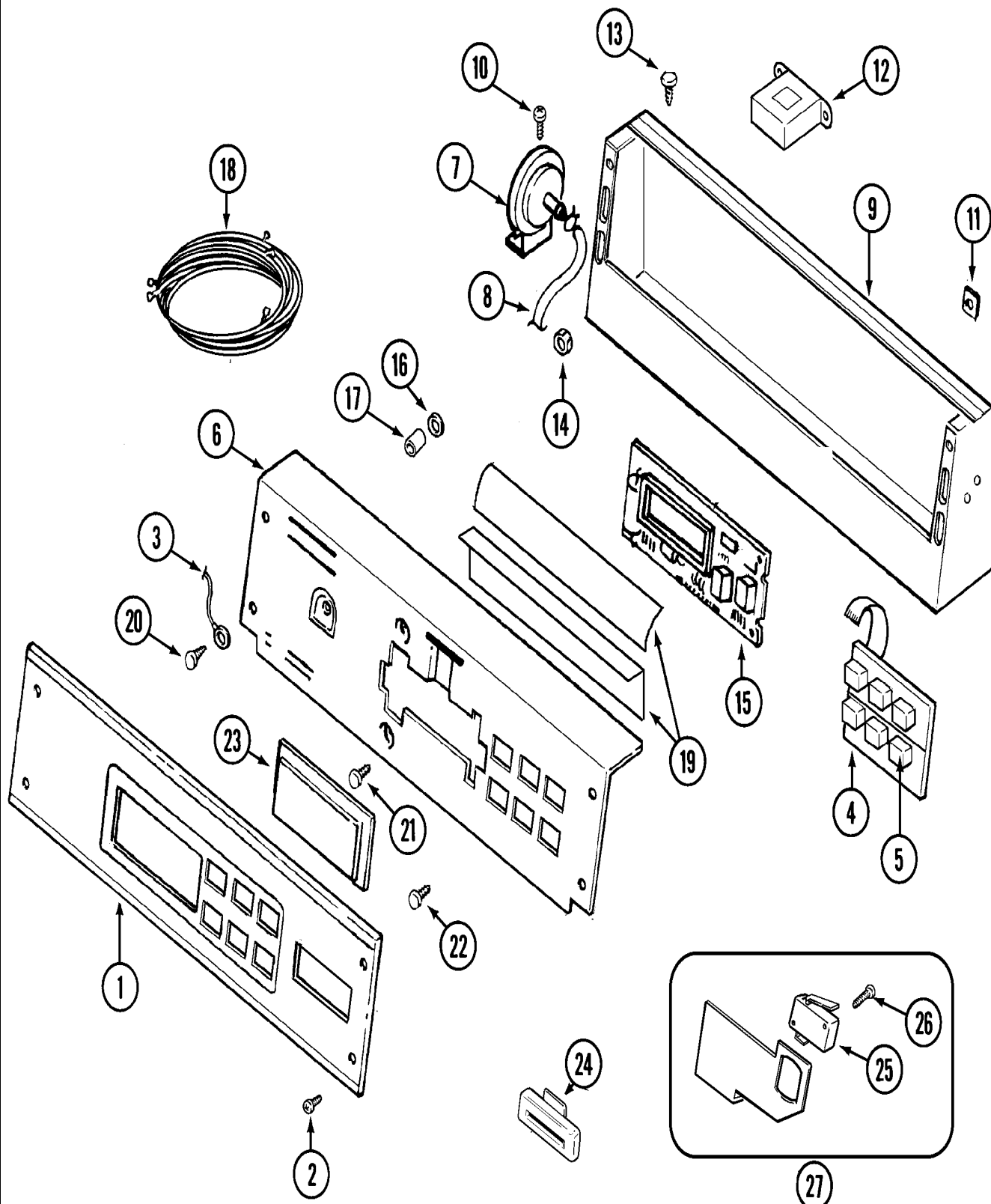
- Product Type
- Part Number
- Model Number
- Part Description

MAYTAG®

©2005 Maytag Services

Section: CONTROL PANEL

Model: MAH14PNSAW



LW10-31

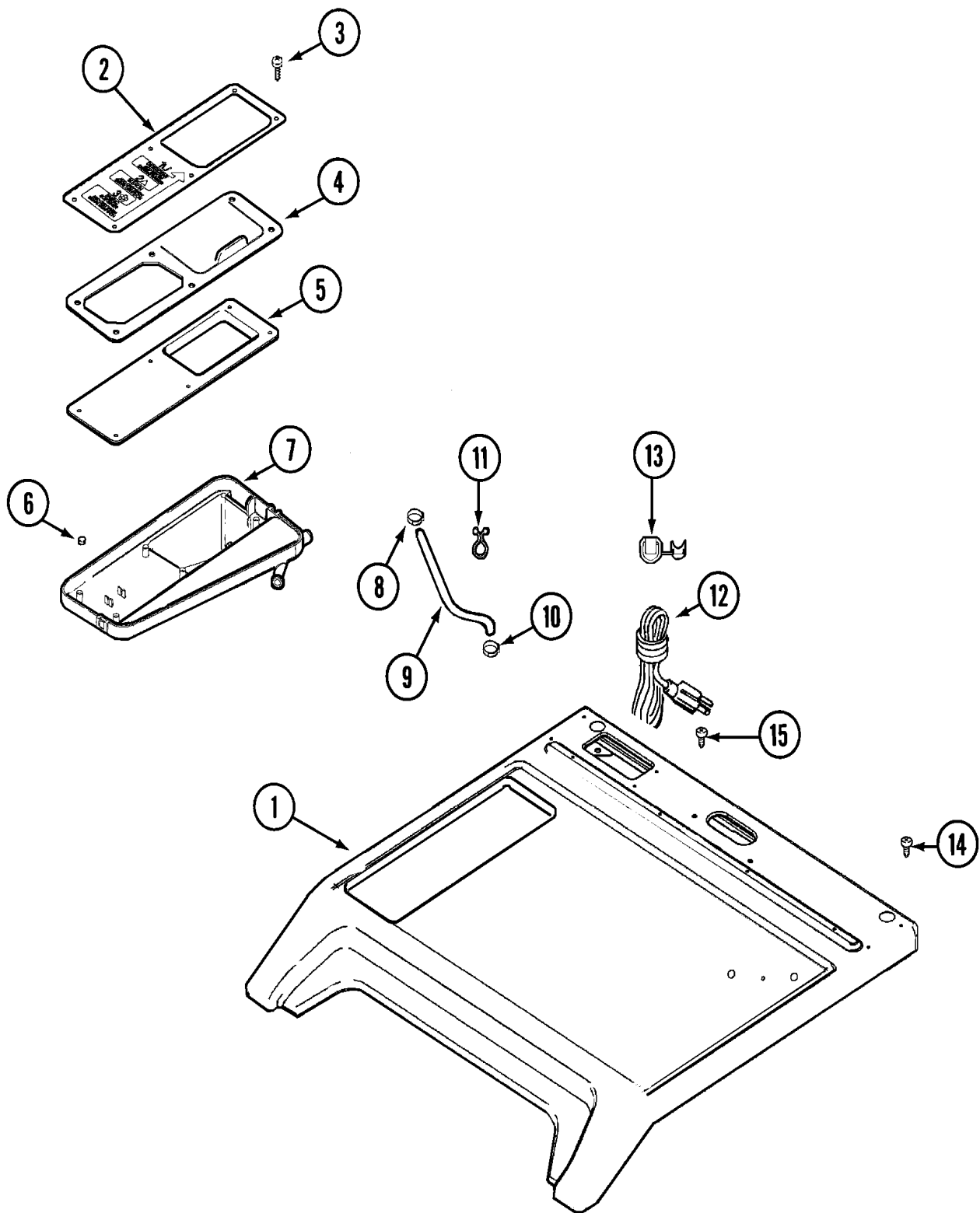
Section: CONTROL PANEL

No.	Part No.	Description	Series	Qty
1	22002346	PANEL, CONTROL	10	1
2	215506	SCREW, TORX Note: SCREW, CONTROL PANEL	10	4
3	205810	WIRE, GROUND	10	1
4	206808	CONTROL SWITCH ASSY. Note: CONTROL SWITCH ASSEMBLY	10	1
-	215527	SCREW Note: SCREW, CONTROL SWITCH	10	2
5	215517	PUSHBUTTON Note: PUSHBUTTON, CONTROL SWITCH	10	2
6	22003090	SWITCH & BACK BRKT ASY. (WHT) Note: SWITCH & BACK BRACKET (WHT)	48	1
6	22002347	BRACKET, SWITCH & BACK Note: SWITCH & BACK BRACKET (WHT)	10	1
7	22002048	SWITCH, PRESSURE	10	1
7	22002994	SWITCH, PRESSURE	44	1
8	22002010	HOSE, AIR DOME Note: HOSE, PRESSURE SWITCH	10	1
- N	22002051	CLIP, AIR DOME RETAINING Note: CLIP, PRESSURE SWITCH HOSE	10	1
9	33001957	CONSOLE (WHT)	10	1
9	22003101	CONSOLE (WHT)	48	1
10	216423	SCREW Note: SCREW, CONSOLE	10	8
11	215003	FASTENER Note: FASTENER, SCREW	10	2
12	22001960	TRANSFORMER	10	1
13	211251	SCREW Note: SCREW, TRANSFORMER	10	2
14	22001419	NUT (ELASTIC) Note: NUT, TRANSFORMER	10	2
15	22002328	BOARD, CONTROL	10	1
16	912077	LOCKNUT Note: LOCKNUT, CONTROL BOARD	10	6
17	33001204	STANDOFF, CIRCUIT BOARD	10	4
18	22002473	WIRE HARNESS, MAIN	10	1
18	22002692	WIRE HARNESS, MAIN	30	1
19	22001511	DEFLECTOR, WATER (W/ADHESIVE)	10	2
20	211252	SCREW Note: SCREW, GROUND WIRE	10	1
21	215526	SCREW Note: SCREW, CIRCUIT BOARD	10	2
22	215527	SCREW Note: SCREW, BACK BRACKET	10	2
-	33002090	HARNESS, SERVICE	10	1
23	22001962	COVER, DISPLAY	10	1
24	22002074	BEZEL, COMMERCIAL	10	1
-	33002092	TAB, LOCKING	10	1
25	22002367	SWITCH, SENSOR	10	1
26	22002368	SCREW----NA	10	2
27	33001982	BRACKET, SWITCH MOUNTING	10	1

*Color Code (-)=Not Shown #=Series, Serial Prefix or Run No., N=Not Available

Section: TOP

Model: MAH14PNSAW



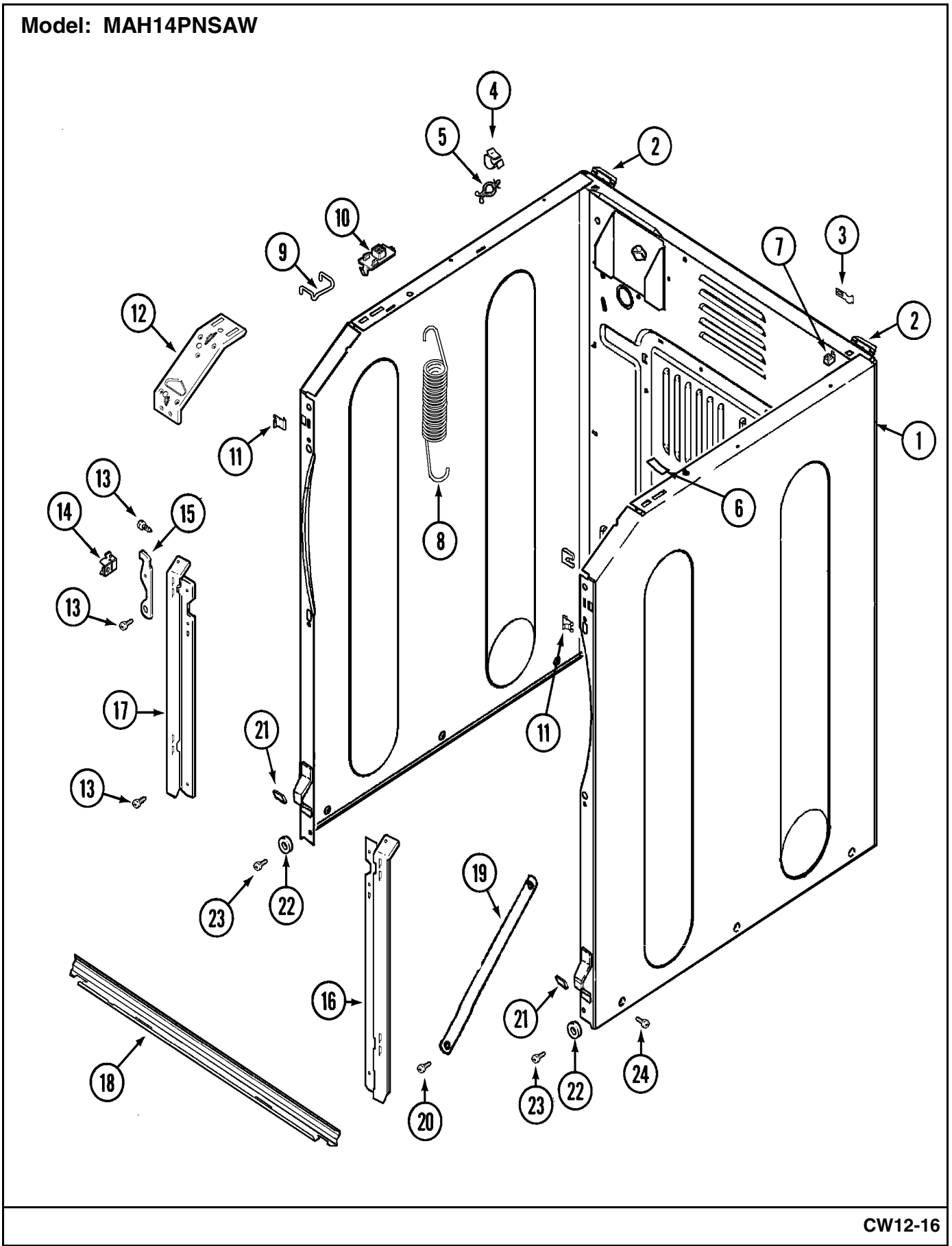
Section: TOP

No.	Part No.	Description	Series	Qty
1	22003584	COVER, TOP (WHT-AS PK)	67	1
1	22002116	COVER, TOP (WHT)	10	1
2	22002032	COVER, COMM. DISPENSER (WHT)	10	1
3	22002230	SCREW, DISPENSER	10	6
4	22002091	LID, COMMERCIAL DISPENSER	10	1
5	22002074	BEZEL, COMMERCIAL	10	1
6	22002031	PALNUT	10	3
7	22002075	DISPENSER BOTTOM, COMMERCIAL	10	1
8	22002054	CLAMP, STEPLESS	10	1
9	22002084	HOSE, SHOWER	10	1
10	201011	CLAMP,HOSE (TUB OUTLET) Note: CLAMP, HOSE	10	1
-	212276	SCREW Note: SCREW, WIRE TIE	10	1
11	22002027	WIRE TIE, TWIST LOCK Note: WIRE TIE, SHOWER HOSE	10	2
12	33001285	CORD, POWER	10	1
13	22002532	GROMMET, CORD	10	1
14	912365	SCREW Note: SCREW, POWER CORD	10	1
15	210186	SCREW, GROUND WIRE TO BASE--NA Note: SCREW, GROUND WIRE	10	1

*Color Code (-)=Not Shown #=Series, Serial Prefix or Run No., N=Not Available

Section: CABINET-FRONT

Model: MAH14PNSAW



CW12-16

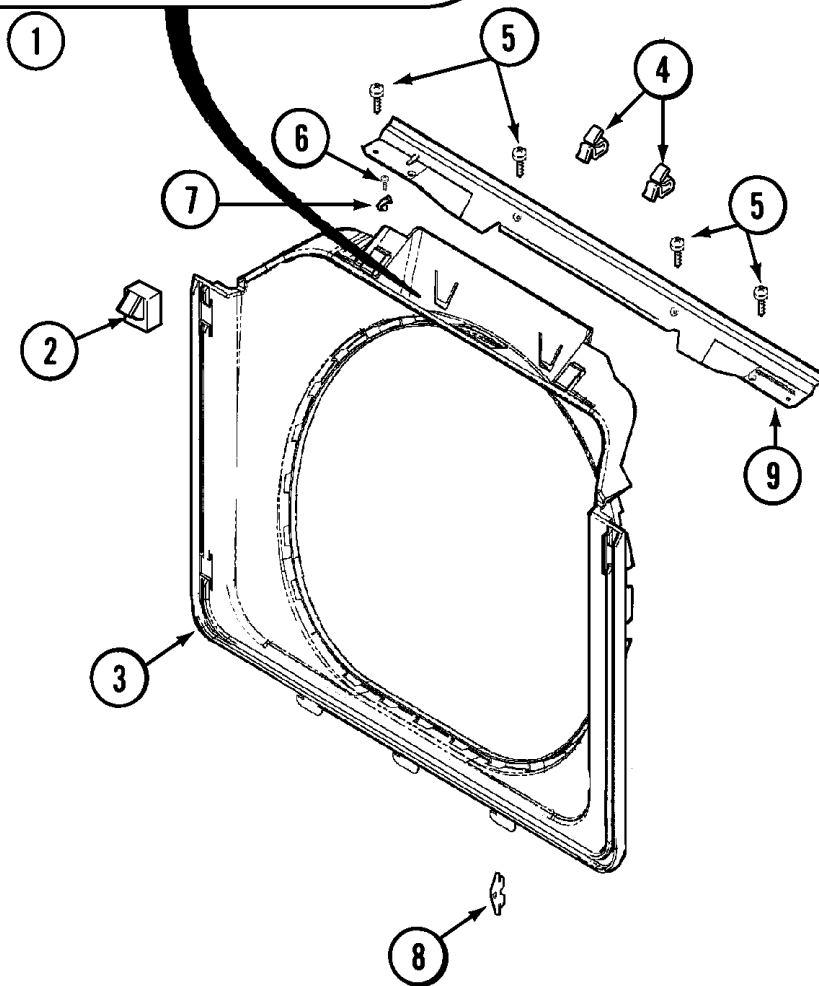
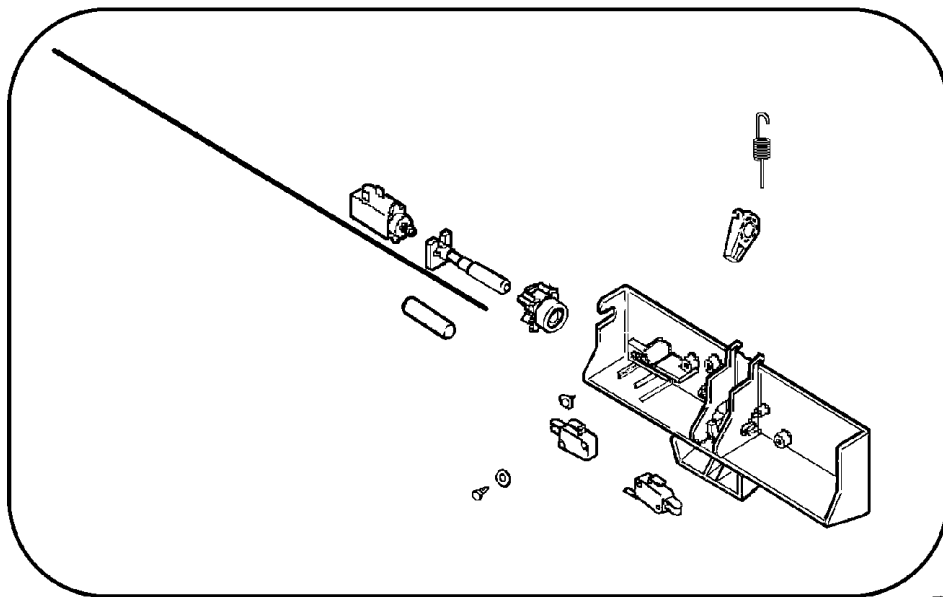
Section: CABINET-FRONT

No.	Part No.	Description	Series	Qty
1	22002548	CABINET ASSY. (WHT)	29	1
1	22002245	CABINET (WHT) Note: (CABINET ONLY)	10	1
1	22003639	CABINET ASSY. (WHT AS PK)	72	1
1	N 22003582	CABINET, ASSY. (WHT-AS PK)	67	1
-	22003367	HINGE, PLASTIC	67	2
-	22001995	SCREW Note: SCREW, HINGE	67	2
2	N 33001827	BRACKET, CABINET HINGE	10	2
-	22001996	SCREW Note: SCREW, BRACKET	10	2
3	22002178	BRACKET, WATER SWITCH Note: BRACKET, AIR DOME HOSE	10	2
-	N 22002345	TIE, WIRE	10	1
4	310376	CLIP, WIRE HARNESS	10	1
5	315471	RETAINER, WIRE Note: RETAINER, WIRE	10	2
6	33001836	STRAP, TOP COVER SUPPORT	10	1
7	310933	FASTENER Note: FASTENER	10	2
8	22002100	SPRING Note: SPRING	10	1
9	22002098	SUPPORT, SPRING	10	2
10	22001997	SPACER, TOP COVER	10	2
11	22002049	CLIP Note: CLIP, FRONT PANEL	10	2
12	22002090	BRACE, CORNER	10	2
13	22001995	SCREW Note: SCREW, SHROUD SUPPORT	10	8
14	22002001	SUPPORT, HINGE	10	4
15	22002247	HOOK, SECURITY	10	2
16	22002034	BRACKET, SHROUD SUPPORT (RT)	10	1
17	22002035	BRACKET, SHROUD SUPPORT (LT)	10	1
18	22003638	SHROUD SUPPORT ASSEMBLY	69	1
18	22001993	BRIDGE, SHROUD SUPPORT	10	1
19	22002259	BRACE, CROSS Note: CROSS BRACE, CABINET	10	2
20	22001995	SCREW Note: SCREW, CROSS BRACE	10	2
21	22002239	CLIP, LOWER FRONT PANEL	10	2
22	22002025	DISC, FRONT PANEL SPACER	10	2
23	22001995	SCREW Note: SCREW, FRONT CABINET	10	2
24	22003409	SCREW----NA Note: SCREW, CABINET (TRUSS)	67	2
24	213007	SCREW, CABINET	10	6

*Color Code (-)=Not Shown #=Series, Serial Prefix or Run No., N=Not Available

Section: DOOR SHROUD & DOOR LATCH ASSEMBLY

Model: MAH14PNSAW



CW10-32

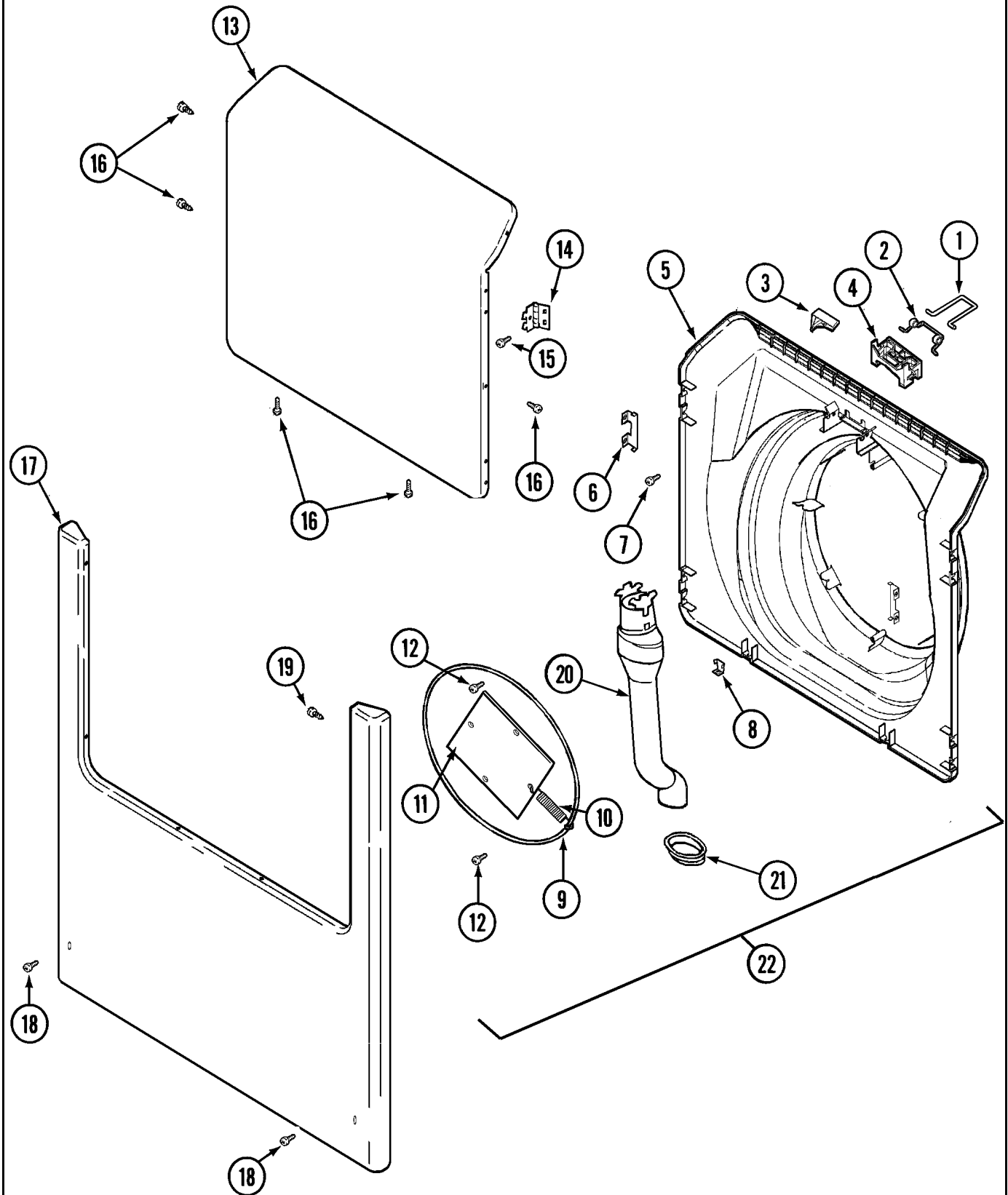
Section: DOOR SHROUD & DOOR LATCH ASSEMBLY

No.	Part No.	Description	Series	Qty
-	22002957	COVER, LATCH ASSEMBLY (LWR)	10	1
1	N 22002474	LATCH ASSY., DOOR	10	1
2	22002046	SWITCH, SECONDARY DOOR (WHT)	10	1
3	22002234	SHROUD, PLASTIC (WHT) Note: SHROUD (WHT)	10	1
4	310376	CLIP, WIRE HARNESS	10	2
5	22001995	SCREW Note: SCREW, DOOR LOCK SUPPORT	10	4
6	22001996	SCREW Note: SCREW, WIRE HARNESS CLIP	10	1
7	22002014	CLIP Note: CLIP, WIRE HARNESS	10	1
8	22002095	COVER, HINGE (WHT)	10	1
9	22003637	BRACE ASSEMBLY, TOP CROSS	69	1
9	22002015	SUPPORT, DOOR LOCK	10	1

*Color Code (-)=Not Shown #=Series, Serial Prefix or Run No., N=Not Available

Section: DOOR & FRONT PANEL

Model: MAH14PNSAW



LW18-7

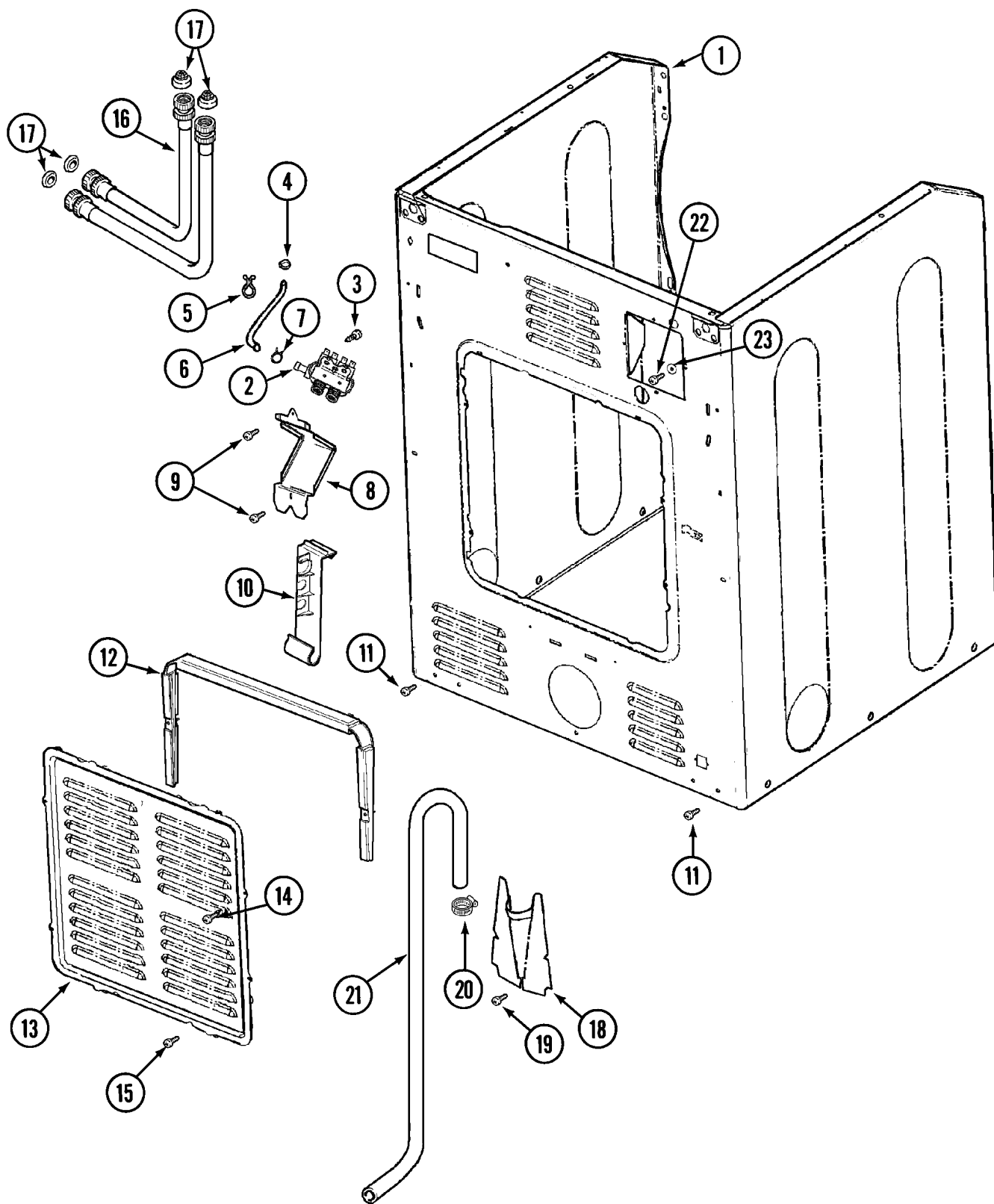
Section: DOOR & FRONT PANEL

No.	Part No.	Description	Series	Qty
1	22002002	HOOP, LOCK	10	1
2	22002003	SPRING, LATCH	10	1
3	22002355	DOOR, INNER (WHT) Note: INNER DOOR & SEC. DOOR STRIKE (MUST PURCHASE ASSEMBLY TO OBTAIN STRIKE)	10	1
4	22002168	SUPPORT, LOCK HOOP	10	1
5	22003076	DOOR, INNER (WHT)	50	1
5	22002539	DOOR, INNER (W/VENT-WHT)	31	1
5	22002355	DOOR, INNER (WHT) Note: INNER DOOR & SEC. DOOR STRIKE	10	1
6	22002038	CLIP, DOOR (DOUBLE)	10	4
7	22002007	SCREW Note: SCREW, STRIKE	10	1
8	22002039	CLIP, DOOR (SINGLE)	10	2
9	22002104	WIREFRAME Note: FRAME, WIRE	10	1
9	-----	NOT REQUIRED PART OR SEE NOTE	65	0
10	22002356	SPRING, PLATE Note: SPRING, PLATE	10	4
10	-----	NOT REQUIRED PART OR SEE NOTE	65	0
11	-----	NOT REQUIRED PART OR SEE NOTE	65	0
11	22002094	PLATE	10	1
12	-----	NOT REQUIRED PART OR SEE NOTE	65	0
12	22002007	SCREW Note: SCREW, WIRE FRAME	10	2
-	22002333	LABEL, OPEN DOOR (WASHER)	10	1
13	22001979	DOOR, OUTER (WHT-W/DAMPER)	10	1
14	22002000	HINGE, DOOR----SUB	10	2
15	22002062	SCREW Note: SCREW, HINGE	10	4
16	22002063	SCREW #8-18AB WAFER HD	10	6
17	22002241	PANEL, FRONT (WHT)	10	1
18	22001496	SCREW, TORX Note: SCREW, FRONT PANEL	10	2
-	22002244	CLIP, GROUNDING	10	1
19	22002243	SCREW Note: SCREW, FRONT PANEL & HINGE	10	4
19	22002012	SCREW, HINGE Note: SCREW, FRONT PANEL & HINGE	10	4
20	22002990	VENT TUBE ASSEMBLY	50	1
21	22003075	GROMMET, VENT TUBE	50	1
22	22003083	LINER, DOOR ASSY W/VENT (WHT)	50	1

*Color Code (-)=Not Shown #=Series, Serial Prefix or Run No., N=Not Available

Section: CABINET-REAR

Model: MAH14PNSAW



CW12-17

Section: CABINET-REAR

No.	Part No.	Description	Series	Qty
1	22002548	CABINET ASSY. (WHT)	29	1
1	22002245	CABINET (WHT) Note: (CABINET ONLY)	10	1
1	N 22003582	CABINET, ASSY. (WHT-AS PK)	67	1
2	22003831	WATER VALVE, 2 COIL	10	1
3	N 313561	SCREW----NA Note: SCREW, WATER VALVE	10	2
4	22002054	CLAMP, STEPLESS	10	1
5	22002027	WIRE TIE, TWIST LOCK	10	2
6	22001987	HOSE, INJECTOR----NA	10	1
7	216169	CLAMP,HOSE-INJEC.HOSE TO VALVE Note: CLAMP, INJECTOR HOSE	10	1
8	22002089	BRACKET, WATER VALVE	10	1
9	22001996	SCREW Note: SCREW, WATER VALVE BRACKET	10	2
10	22002076	STRAP, DRAIN HOSE	10	1
11	22001995	SCREW Note: SCREW, CABINET	10	2
12	22002022	SPACER, ACCESS PANEL	10	1
13	22002092	PANEL, ACCESS	10	1
14	22002295	SCREW Note: SCREW, ACCESS PANEL SPACER	10	2
15	22001996	SCREW Note: SCREW, ACCESS PANEL	10	2
16	22002475	HOSE, INLET Note: HOSE, INLET	10	2
17	013783	GASKET, INLET HOSE Note: WASHER, INLET HOSE	10	4
18	22002093	COVER, DRAIN HOSE	10	1
19	22001995	SCREW Note: SCREW, DRAIN HOSE COVER	10	1
20	22001984	CLAMP, DRAIN HOSE	10	2
-	22002892	RETAINER, DRAIN HOSE	38	1
-	22002891	HOSE, DRAIN	38	1
21	12001659	DRAIN HOSE REPLACEMENT(NEPTUN) Note: DRAIN HOSE KIT (CORRUGATED) (INCLUDES THE FOLLOWING PARTS)	38	1
-	22002893	TIE, CABLE	38	1
21	22002085	HOSE, DRAIN	10	1
22	N 33001245	SCREW----NA Note: SCREW, GROUND LUG	10	1
23	N 313363	WASHER Note: WASHER, GROUND LUG	10	1

*Color Code (-)=Not Shown #=Series, Serial Prefix or Run No., N=Not Available

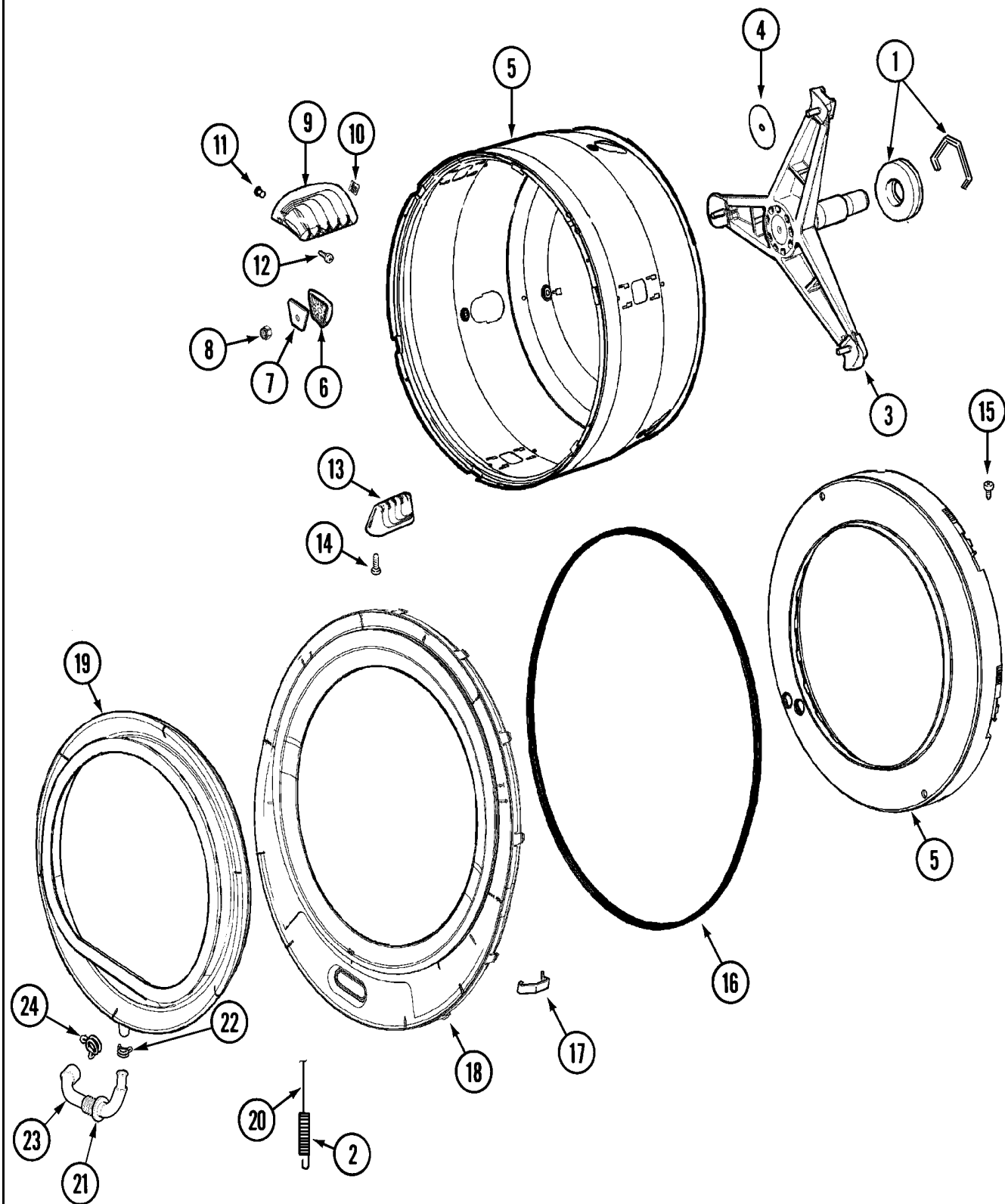
Section: OUTER TUB

No.	Part No.	Description	Series	Qty
1	22002154	TUB ASSY. (OUTER)	10	1
2	22002045	SWITCH, INERTIAL - UNBALANCE	10	1
3	912615	SCREW, #8X1/2 HEX WASHER HEAD Note: SCREW, INERTIAL SWITCH	10	2
4	22002545	WIRE HARNESS, DISPLACEMENT	10	1
5	200720	BALL BEARING, RADIAL	10	1
6	22003615	BOLT, DOUBLE SEMS 5-3/8	10	2
7	22002935	SPACER, BEARING	10	1
8	22003616	BOLT, DOUBLE SEMS 3-3/8	10	2
9	22002102	WEIGHT, COUNTER BALANCE	10	1
10	22002083	HOSE, INJECTOR	10	1
11	22002052	CLAMP, INJECTOR HOSE	10	2
12	22002103	CLIP, U Note: CLIP, U	10	2
13	22002959	DEFLECTOR, WATER	42	1
13	22002004	DEFLECTOR, WATER	10	1
-	22002061	SCREW	10	1
14	22002006	CLIP Note: CLIP, WIRE HARNESS & OUTER TUB	10	1
15	22002065	NUT, COUNTER BALANCE	10	4
16	22002044	SWITCH, TUB DISPLACEMENT	10	2
-	33002215	BRACKET, UNBALANCE SWITCH	10	1
17	22002061	SCREW Note: SCREW, DISPLACEMENT SWITCH	10	2
18	202515	HOSE CLAMP - 1-1/16 INCH Note: CLAMP, HOSE	10	1
- N	22002051	CLIP, AIR DOME RETAINING	10	1
19	22002010	HOSE, AIR DOME	10	1
20	22001984	CLAMP, DRAIN HOSE	10	1
21	22002081	HOSE, TUB OUTLET	10	1
22	22002053	CLAMP, SUMP HOSE	10	1
23	22002302	WEIGHT ASSEMBLY (FRT)	10	1
24	22002008	STRAP	10	1
25	22002057	SCREW, SPINNER	10	1
26	22002055	WASHER, SPINNER SHAFT	10	1
27	22001998	PULLEY, SPINNER	10	1
28	12001435	BELT KIT, DRIVE	10	1
29	22002934	BEARING, FRONT	10	1
30	22002011	CUSHION	10	1

*Color Code (-)=Not Shown #=Series, Serial Prefix or Run No., N=Not Available

Section: SPINNER ASSEMBLY & OUTER TUB COVER

Model: MAH14PNSAW



LW13-33

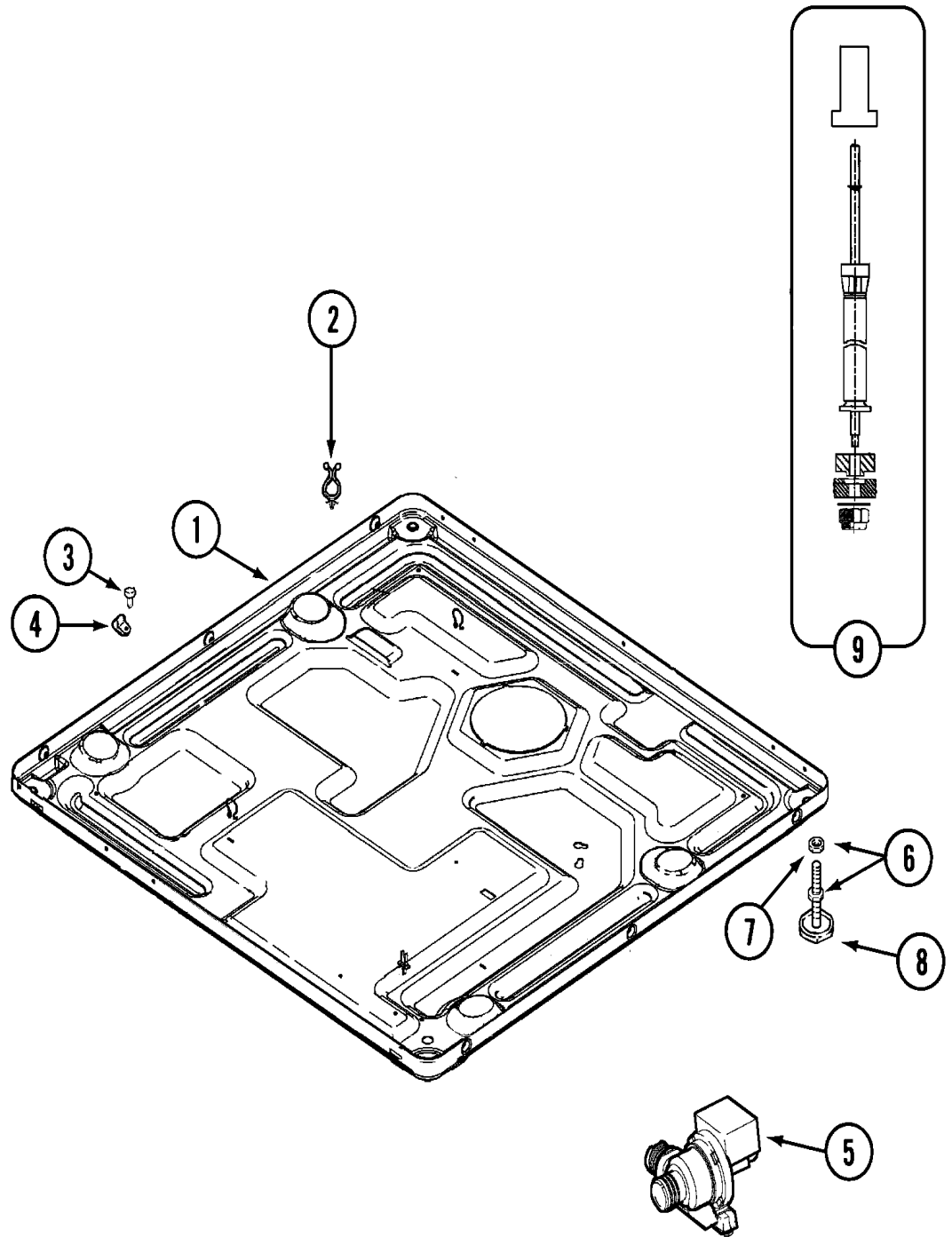
Section: SPINNER ASSEMBLY & OUTER TUB COVER

No.	Part No.	Description	Series	Qty
1	12001478	LIP SEAL SVC ASSY.	10	1
2	22002099	SPRING, TUB	10	1
3	22001994	SUPPORT ASSY., SPINNER	10	1
-	22002123	TUBE, MOLYKOTE	10	1
3	22002897	SUPPORT ASSY., SPINNER	40	1
4	22002023	WASHER, PLASTIC	10	3
5	22002115	SPINNER ASSY. (W/BALANCE RING)	10	1
6	22002021	WASHER, PROFILE	10	3
7	22002020	WASHER, SPINNER SUPPORT	10	3
8	22002122	NUT, SPINNER ATTACHMENT	10	3
9	22001985	BAFFLE, DRIP (REAR)	10	3
10	22002009	GROMMET, BAFFLE (REAR)	10	3
11	22001999	GROMMET, BAFFLE (FRT)	10	3
12	22002325	SCREW Note: SCREW, BAFFLE (REAR)	10	6
13	22001986	BAFFLE, DRIP (FRONT)	10	3
14	22002059	SCREW Note: SCREW, BAFFLE (FRONT)	10	6
15	N 22002028	SCREW, BALANCE RING Note: PART NEVER USED IN PRODUCTION	10	3
16	22002077	SEAL, TUB COVER	10	1
17	22002050	CLIP, TUB TO COVER	10	13
18	22002238	COVER, TUB (W/SEAL)	10	1
-	22003074	GUARD, HOSE	53	1
18	22003212	COVER, TUB (W/SEAL) (ASP)	53	1
18	22002961	COVER, TUB (W/SEAL) (ASP)	42	1
19	22001978	BOOT, DOOR	10	1
19	12001772	KIT, DOOR BOOT W/DRAIN	53	1
20	22002327	BOOT CABLE CLAMP	10	1

*Color Code (-)=Not Shown #=Series, Serial Prefix or Run No., N=Not Available

Section: BASE

Model: MAH14PNSAW



CW19-38

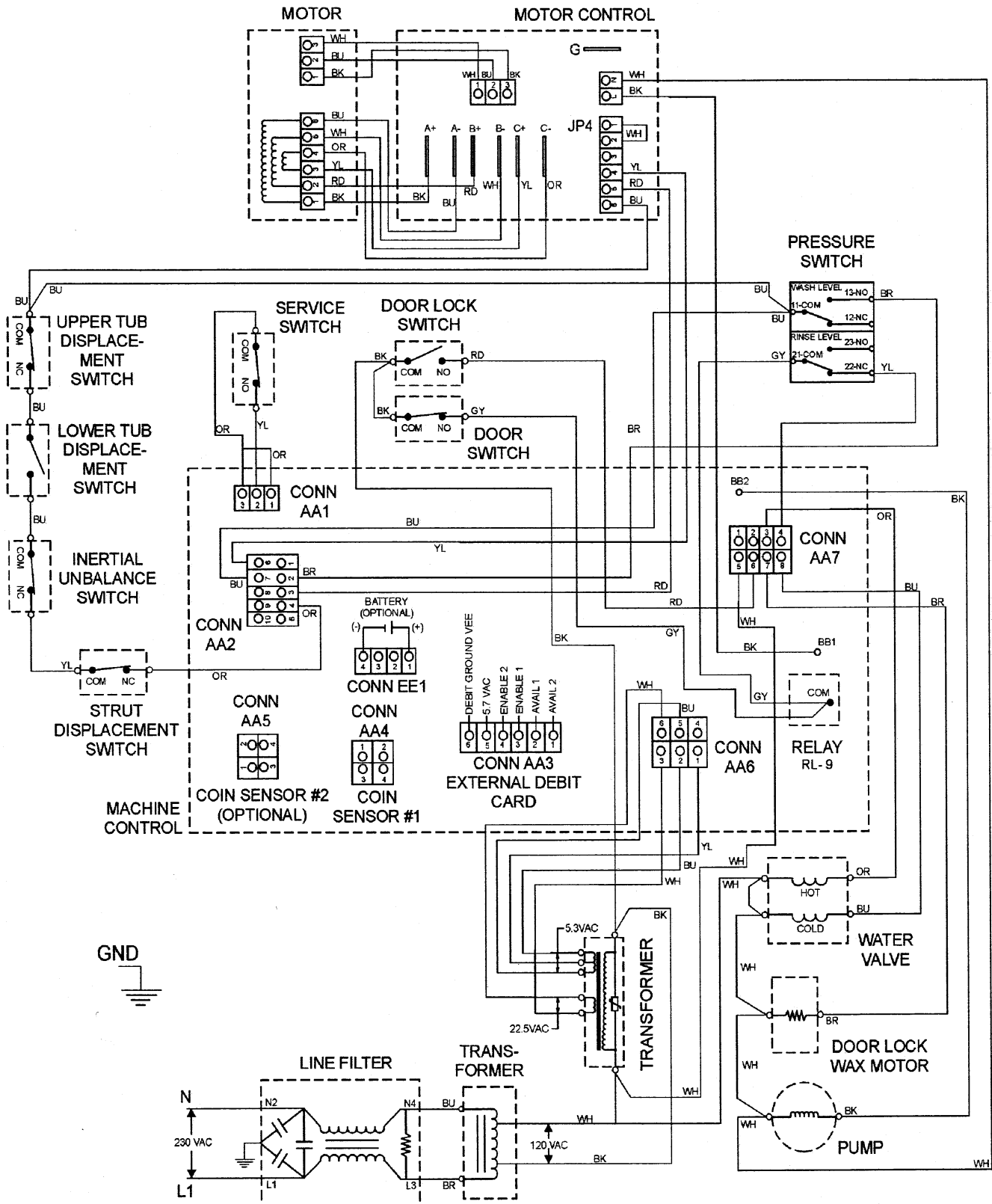
Section: BASE

No.	Part No.	Description	Series	Qty
1	22003580	BASE, ASSEMBLY	67	1
1	22002240	BASE	10	1
2	315471	RETAINER, WIRE Note: RETAINER, WIRE	10	5
3	212276	SCREW Note: SCREW, WIRE HARNESS CLIP	10	1
4	22002014	CLIP Note: CLIP, WIRE HARNESS	10	1
5	22002809	PUMP (50HZ)	10	1
6	22001915	ADJUSTABLE LEG & NUT	10	4
7	052740	NUT Note: NUT, LEG	10	4
8	210684	FOOT, RUBBER	10	4
9	22001988	STRUT ASSY-REAR	10	2
-	22002477	SHIELD, TRANSFORMER	10	1
-	22002476	TRANSFORMER	10	1

*Color Code (-)=Not Shown #=Series, Serial Prefix or Run No., N=Not Available

Section: WIRING INFORMATION

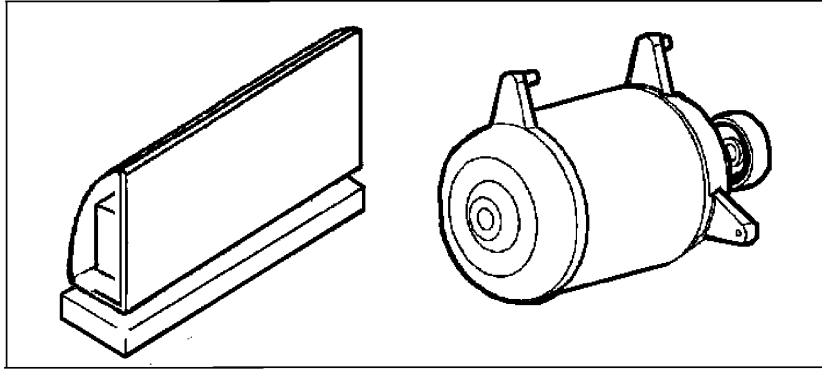
Model: MAH14PNSAW



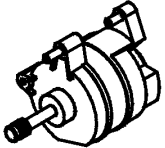
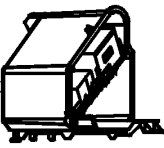
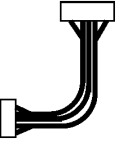
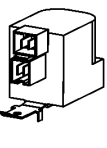
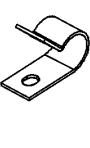

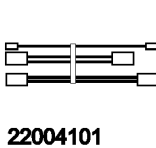

15002444

Section: MOTOR & MOTOR CONTROL

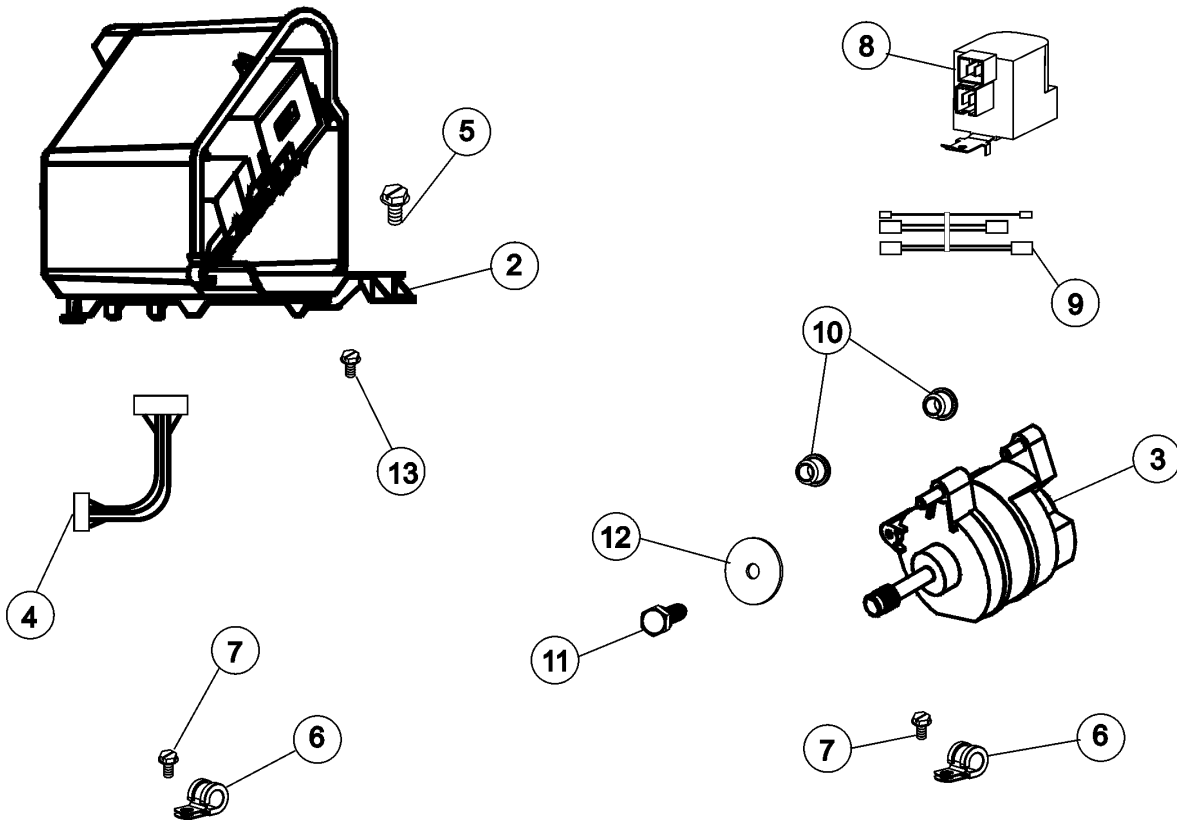
Model: MAH14PNSAW



**ITEM 1
KIT CONTAINS:**

 <p>120002040 MOTOR W/ISOLATORS</p>	 <p>22004046 MOTOR CONTROL BOARD</p>	 <p>22004047 MOTOR HARNESS</p>	 <p>22003854 AC LINE FILTER</p>	 <p>22004102 "P" CLIPS (2)</p>	 <p>22002300 SCREW "P" CLIPS TO MOTOR</p>	 <p>22004101 LOWER JUMPER WIRE HARNESS</p>	 <p>22004103 SCREW GROUND</p>
---	--	--	---	--	---	--	---

(SEE TEXT FOR ITEMS 2, 3, 4 AND 8)



CW23-04

Section: MOTOR & MOTOR CONTROL

No.	Part No.	Description	Series	Qty
1	12002039	NEPTUNE MOTOR CONVERSION KIT	10	1
2	22004046	CONTROL ASSY., MOTOR	10	1
3	22003856	MOTOR, VARIABLE SPEED	10	1
4	22004047	HARNES, MOTOR/MOTOR CONTROL	10	1
5	33002190	SCREW (#10-3/8")	10	2
6	22004102	P CLIPS	10	2
7	22002300	SCREW	10	2
8	22003854	EMI SUPPRESSION FILTER, 12A	10	1
9	22004101	REPAIR JUMPER HARNES	10	1
10	22003329	ISOLATOR, MOTOR	10	2
11	22003686	BOLT, MOTOR	10	1
12	22002320	WASHER, STRUT	10	1
13	22004103	SCREW	10	1

*Color Code (-)=Not Shown #=Series, Serial Prefix or Run No., N=Not Available

