

WASHER

Repair Parts List

MODEL NUMBER
MAT10CSAGW

When requesting service or ordering parts, always provide the following information:

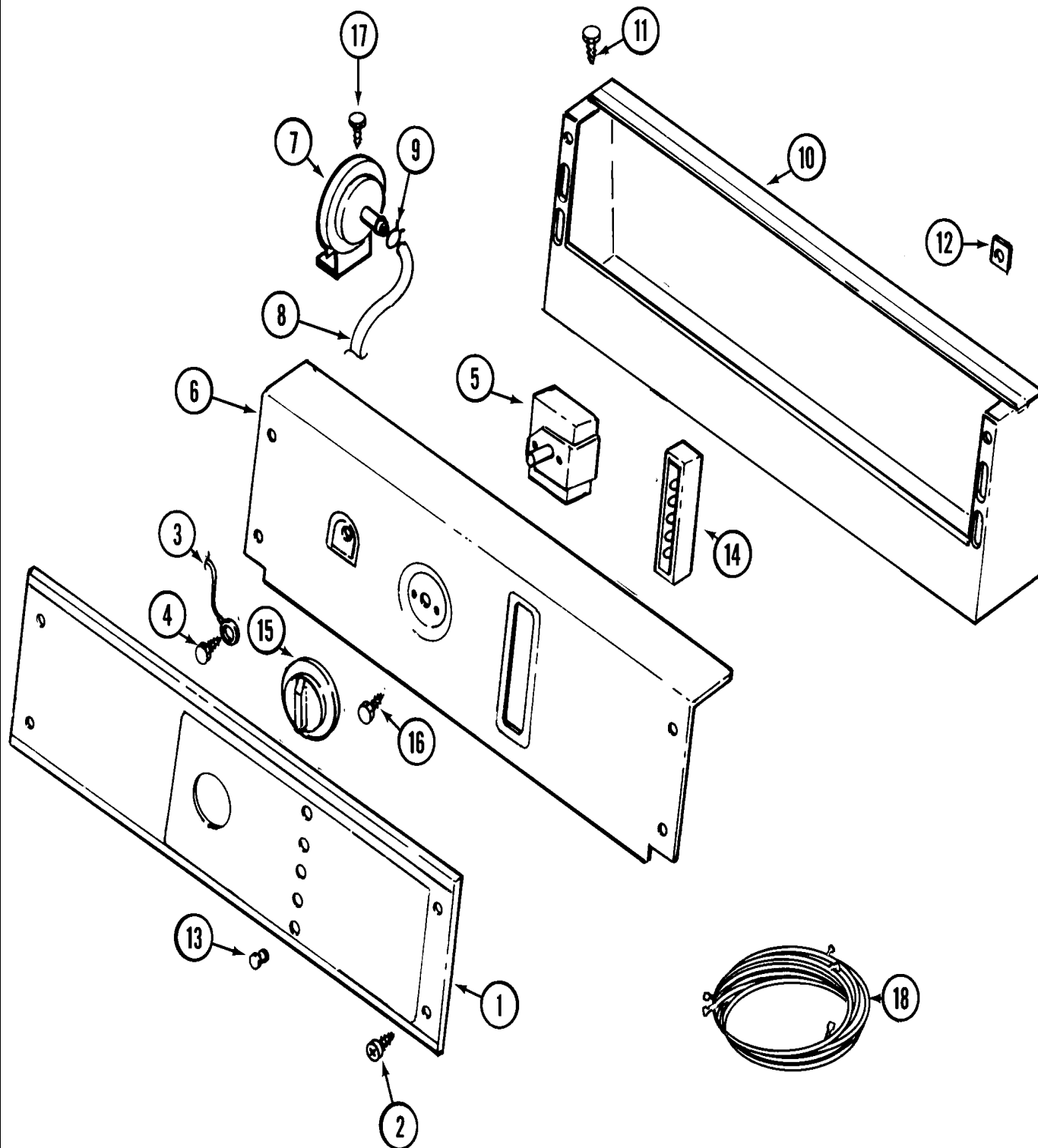
- Product Type
- Part Number
- Model Number
- Part Description

MAYTAG®

©2005 Maytag Services

Section: CONTROL PANEL

Model: MAT10CSAGW



CW11-1

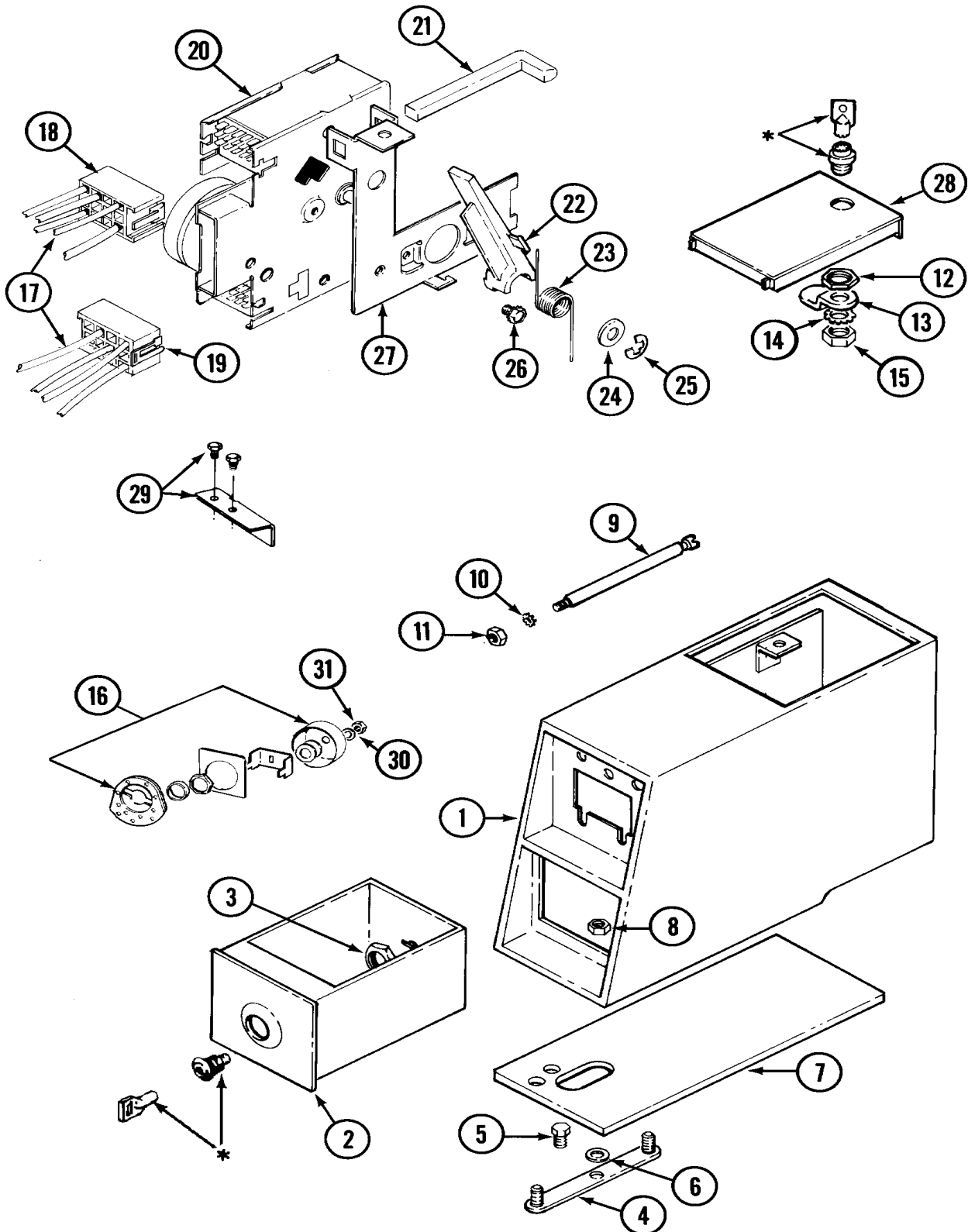
Section: CONTROL PANEL

No.	Part No.	Description	Series	Qty
1	22001307	PANEL, CONTROL (W/LENS)	A0	1
2	215506	SCREW, TORX Note: SCREW, CONTROL PANEL	A0	4
3	204807	GRND.WIRE,SUPP.PLTE TO TOP CVR Note: WIRE, GROUND	A0	1
4	210186	SCREW, GROUND WIRE TO BASE--NA Note: SCREW, GROUND WIRE	A0	1
5	205353	SWITCH, TEMP. Note: SWITCH, TEMP.	A0	1
6	215570	BACKUP PLATE - WHITE Note: BACKUP PLATE (WHT)	A0	1
6	215570L	PLATE, BACKUP (ALM) Note: (ALM)	A0	1
7	22001308	SWITCH, WATER LEVEL	A0	1
8	212942	AIR DOME AND TUBE Note: TUBE, WATER LEVEL SWITCH	A0	1
9	410296	CLAMP,WATER LEVEL SWTCH TUBE Note: CLAMP, WATER LEVEL TUBE	A0	1
10	206780	CONTROL COVER ASSY Note: CONSOLE (WHT)	A0	1
10	206780L	CONSOLE (ALM) SU Note: (ALM)	A0	1
11	212276	SCREW Note: SCREW, CONSOLE	A0	5
12	215003	FASTENER Note: CLIP, SCREW	A0	2
13	215564	LENS, INDICATOR (AMBER) Note: LENS, INDICATOR LIGHT	A0	5
14	206882	INDICATOR, 5 LIGHT 250V Note: LIGHT, INDICATOR	A0	1
15	206894	KNOB W/BUMP Note: KNOB, SELECTOR (W/BUMPER)	A0	1
15	215561	LID BUMPER Note: BUMPER, KNOB	A0	1
16	313588	SCREW Note: SCREW, TEMP, SWITCH	A0	2
17	211294	SCREW Note: SCREW, WATER LEVEL SWITCH	A0	2
18	22001093	WIRE HARNESS, MAIN Note: WIRE HARNESS, MAIN	A0	1

*Color Code (-)=Not Shown #=Series, Serial Prefix or Run No., N=Not Available

Section: CONTROL CENTER

Model: MAT10CSAGW



* CONTACT YOUR COMMERCIAL LAUNDRY DISTRIBUTOR

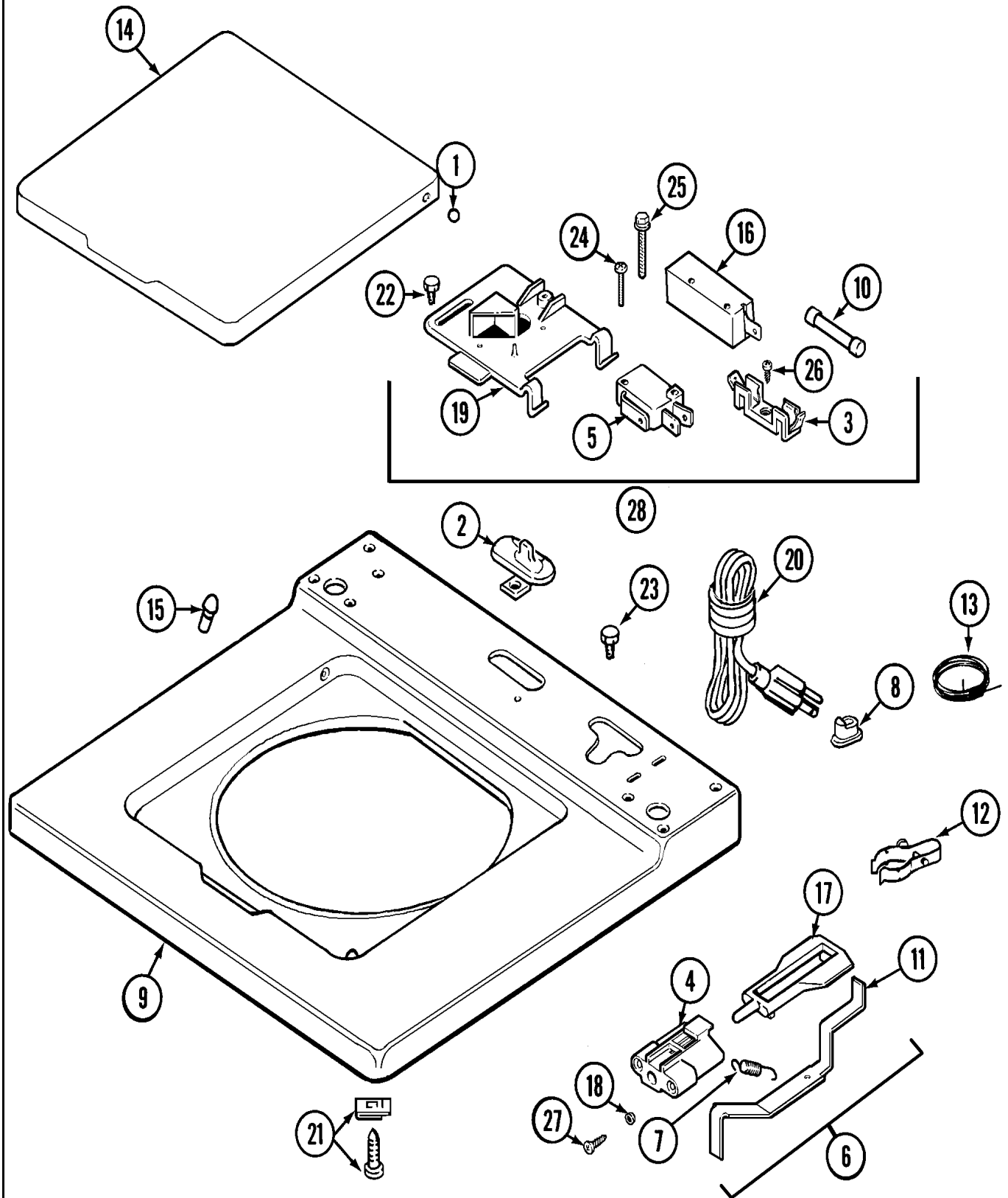
Section: CONTROL CENTER

No.	Part No.	Description	Series	Qty
1	206952L	COIN METER ASSY Note: (ALM)	A0	1
1	206952	COIN METER CASE (WHT)	A0	1
2	N 207913L	BOX, COIN (ALM) Note: (ALM)	A0	1
2	207913	VAULT, COIN (WHT)	A0	1
3	212328	NUT, HEX Note: NUT, LOCKING BOLT	A0	1
4	N 203307	MTG. STRAP----NA Note: STRAP, MOUNTING	A0	1
5	211294	SCREW Note: SCREW, MOUNTING STRAP	A0	1
6	910309	WASHER Note: WASHER, STRAP SCREW	A0	1
7	214660	GASKET, METER CASE Note: GASKET, METER CENTER	A0	1
8	052740	NUT Note: NUT, CASE MOUNTING	A0	1
9	215559	BOLT, LOCKING Note: BOLT, LOCKING	A0	1
10	910387	LOCK WASHER Note: LOCKWASHER, LOCKING BOLT	A0	1
11	052721	NUT Note: NUT, LOCKING BOLT	A0	1
12	212328	NUT, HEX Note: NUT, CAM LOCK	A0	1
13	213750	LOCKING CAM Note: CAM, LOCK	A0	1
14	22001354	WASHER, LOCK Note: LOCKWASHER, LOCK CAM	A0	1
15	22001355	NUT Note: NUT, LOCK CAM	A0	1
16	N 207914	LOCK CAM ASSY. NA	A0	1
-	216203	LOCKWASHER Note: LOCKWASHER, LOCK CAM	A0	1
17	22002223	HARNESS, WIRE	15	1
17	22001093	WIRE HARNESS, MAIN	A0	1
17	N 22002222	HARNESS, WIRE	15	1
18	22001349	HOUSING, CONNECTOR (BLK)	A0	1
-	N 22001364	CONNECTOR, WIRE	A0	31
19	22001350	HOUSING, CONNECTOR (WHT)	A0	1
20	22001086	TIMER	A0	1
21	214666	ARM, ACTUATOR	A0	1
22	22001042	PIVOT ARM, TIMER Note: ARM, TIMER PIVOT	A0	1
23	214663	SPRING FOR TIMER LEVER Note: SPRING, PIVOT ARM	A0	1
24	214664	SPRING RETAINER FOR TIMER Note: RETAINER, SPRING	A0	1
25	312270	E CLIP Note: CLIP, SPRING RETAINER	A0	1
26	216042	SCREW Note: SCREW, BRACKET	A0	2
-	212276	SCREW Note: SCREW, BRACKET	A0	2
27	22001043	BRACKET, TIMER	A0	1
28	204216	DOOR, ACCESS (WHT) Note: DOOR, ACCESS (WHT)	A0	1
28	204216L	TIMER ACCESS DOOR ASSEMBLY - A Note: (ALM)	A0	1
29	207156	ACTUATOR KIT	A0	1
30	22001354	WASHER, LOCK Note: LOCKWASHER, LOCK CAM	A0	1
31	22001355	NUT Note: NUT, LOCK CAM	A0	1

*Color Code (-)=Not Shown #=Series, Serial Prefix or Run No., N=Not Available

Section: TOP

Model: MAT10CSAGW



CW13-4

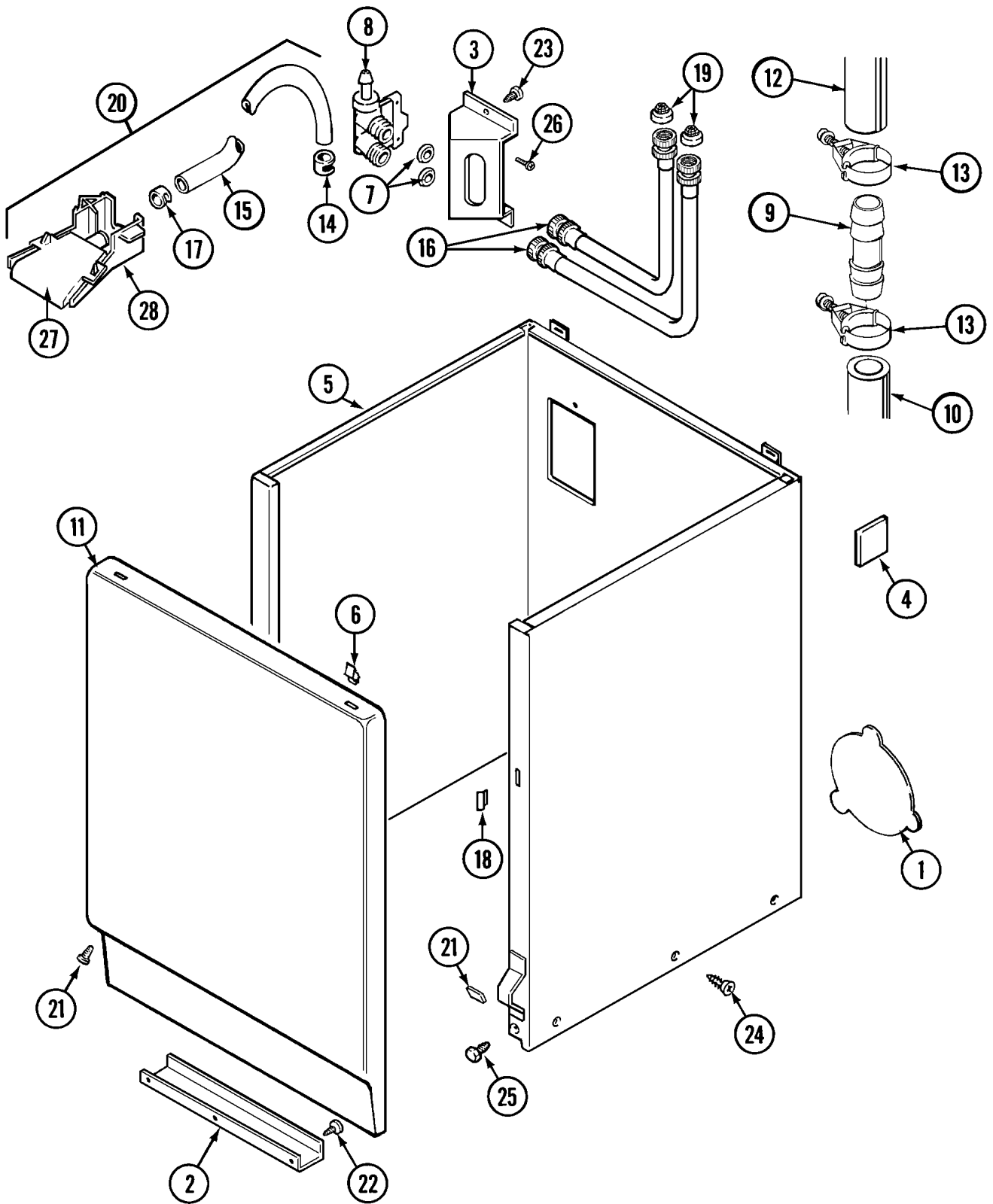
Section: TOP

No.	Part No.	Description	Series	Qty
1	211726	HINGE, BALL	A0	1
-	207159	SCREW Note: SCREW, CAP	A0	1
2	22001298	CAP, TOP COVER	A0	1
3	207167	BLOCK, FUSE	A0	1
4	N 216256	BRACKET, UNBALANCE Note: BRACKET, PLUNGER	A0	1
5	207166	SWITCH, CHECK	A0	1
6	22001311	LEVER ASSY. (UNBALANCE)	A0	1
7	213720	SPRING	A0	1
8	N 210174	STRAIN RELIEF Note: GROMMET, CORD	A0	1
9	N 22001309	TOP, MAIN (ALM)----NA Note: TOP COVER (ALM)	A0	1
9	22001310	TOP, MAIN (WHT) Note: (WHT)	A0	1
10	207168	FUSE	A0	1
11	22001136	LEVER, UNBALANCE	A0	1
12	301548	CLAMP, GROUND (W/SCREW)	A0	1
13	204807	GRND.WIRE,SUPP.PLTE TO TOP CVR Note: GROUND WIRE, SUPPORT PLATE	A0	1
14	22001342	LID W/LEGEND (ALM)----NA Note: (ALM)	A0	1
14	22001341	LID W/LEGEND (WHT) Note: LID W/LEGEND (WHT)	A0	1
15	212716	BUMPER, LID	A0	2
16	205415	SWITCH, LID (W/O TUB LIGHT)	A0	1
17	216255	PLUNGER, UNBALANCE Note: PLUNGER, LID SWITCH	A0	1
18	211500	WASHER,BRACKE TO TOP COVER Note: WASHER, BRACKET	A0	2
19	215699	BRACKET,SWITCH & FUSE Note: BRACKET, SWITCH & FUSE	A0	1
20	22001351	CORD, POWER	A0	1
21	204445	SCREW & FASTENER ASY.	A0	2
22	207159	SCREW Note: SCREW, BRACKET	A0	1
23	210186	SCREW, GROUND WIRE TO BASE--NA Note: SCREW, GROUND WIRE	A0	2
24	22001352	SCREW, CHECK SWITCH	A0	1
25	213501	SCREW, #6-20 X 1-1/8 INCH Note: SCREW, LID SWITCH	A0	2
26	311711	SCREW Note: SCREW, FUSE BLOCK	A0	1
27	910182	SCREW Note: SCREW, PLUNGER BRACKET	A0	2
28	207176	LID SWITCH ASSY.	A0	1

*Color Code (-)=Not Shown #=Series, Serial Prefix or Run No., N=Not Available

Section: CABINET

Model: MAT10CSAGW



CW12-1

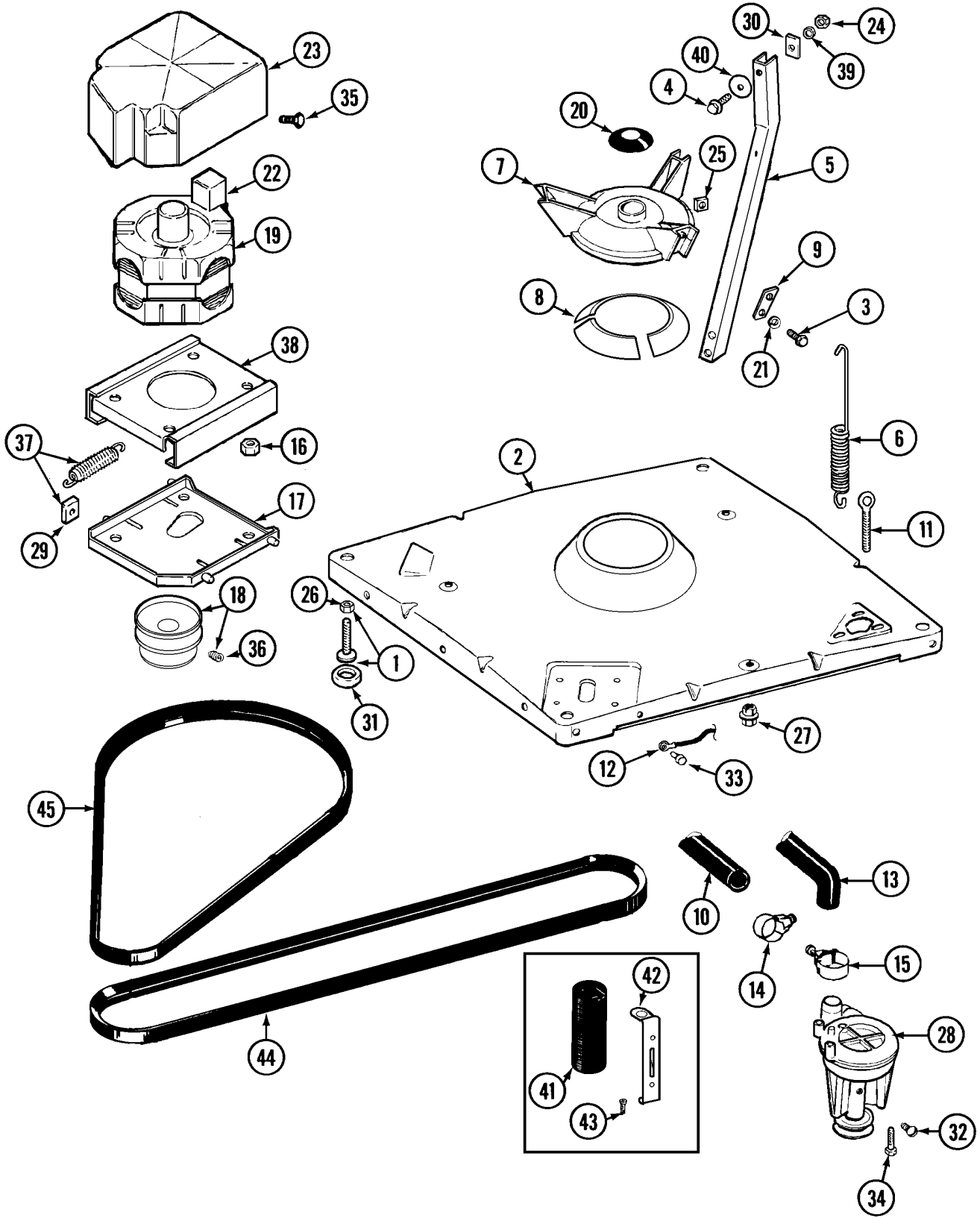
Section: CABINET

No.	Part No.	Description	Series	Qty
1	212985	PLATE, ACCESS (W/HOLE)	A0	1
-	211294	SCREW Note: SCREW, PLATE	A0	2
1 N	211878	PLATE, ACCESS	A0	1
2	213846	GUARD, BELT	A0	1
3	214812	BRACKET,WATER VALVE Note: BRACKET, WATER VALVE	A0	1
4	215058	PAD, CABINET BUMPER	A0	2
5	22001302	CABINET (WHT)	A0	1
6	212982	FASTENER, PANEL	A0	2
7	013783	GASKET, INLET HOSE Note: WASHER, INLET HOSE	A0	2
-	214337	SCREEN, VALVE	A0	2
8	22001276	VALVE, WATER	A0	1
8	22001605	VALVE, WATER 240V 50HZ	15	1
-	205161	CLAMP - 15/16" Note: CLAMP, WATER VALVE	15	1
9	211111	HOSE COUPLING Note: COUPLING, HOSE	A0	1
10	214768	DRAIN HOSE, 4 FOOT Note: HOSE, DRAIN	A0	1
11	216078	PANEL, FRONT (WHT)	A0	1
12	215057	DRAIN HOSE Note: HOSE, INTERNAL DRAIN	A0	1
13	200461	HOSE CLAMP - 1-5/8 INCH Note: CLAMP, HOSE	A0	2
14	216169	CLAMP,HOSE-INJEC.HOSE TO VALVE Note: CLAMP, HOSE	A0	1
-	22001900	PREVENTER, BACK FLOW	15	1
15	22001190	HOSE, INJECTOR	A0	1
15	22001608	INJECTOR HOSE & BACKFLOW ASSY. Note: INJECTOR HOSE & CLAMP KIT	15	1
16	208100	HOSE, INLET ASSY Note: INLET HOSE ASSEMBLY	A0	2
17	216170	CLAMP, HOSE	A0	1
18	214376	SPACER, FRONT PANEL	A0	1
19	200961	SCREEN WASHER, INLET HOSE	A0	1
20	22001304	INJECTOR ASSY., WATER Note: WATER INJECTOR ASSEMBLY	A0	1
21	204439	SCREW & FSTNER ASSY(FRT.PANEL) Note: SCREW & FASTENER ASSEMBLY	A0	2
22	211294	SCREW Note: SCREW, BELT GUARD	A0	3
23	212276	SCREW Note: SCREW, VALVE BRACKET	A0	1
24	213007	SCREW, CABINET Note: SCREW, CABINET SIDES	A0	6
25	213122	SCREW,CBNT.TO FRNT OF BASE--NA Note: SCREW, CABINET (FRONT)	A0	2
25	213121	SCREW Note: SCREW, CABINET (BASE)	A0	3
26 N	313561	SCREW----NA Note: SCREW, WATER VALVE	A0	2
27	22001187	INJECTOR (UPR) Note: INJECTOR (UPR)	A0	1
28	22001186	INJECTOR (LWR) Note: INJECTOR (LWR)	A0	1

*Color Code (-)=Not Shown #=Series, Serial Prefix or Run No., N=Not Available

Section: BASE

Model: MAT10CSAGW



LW10-13

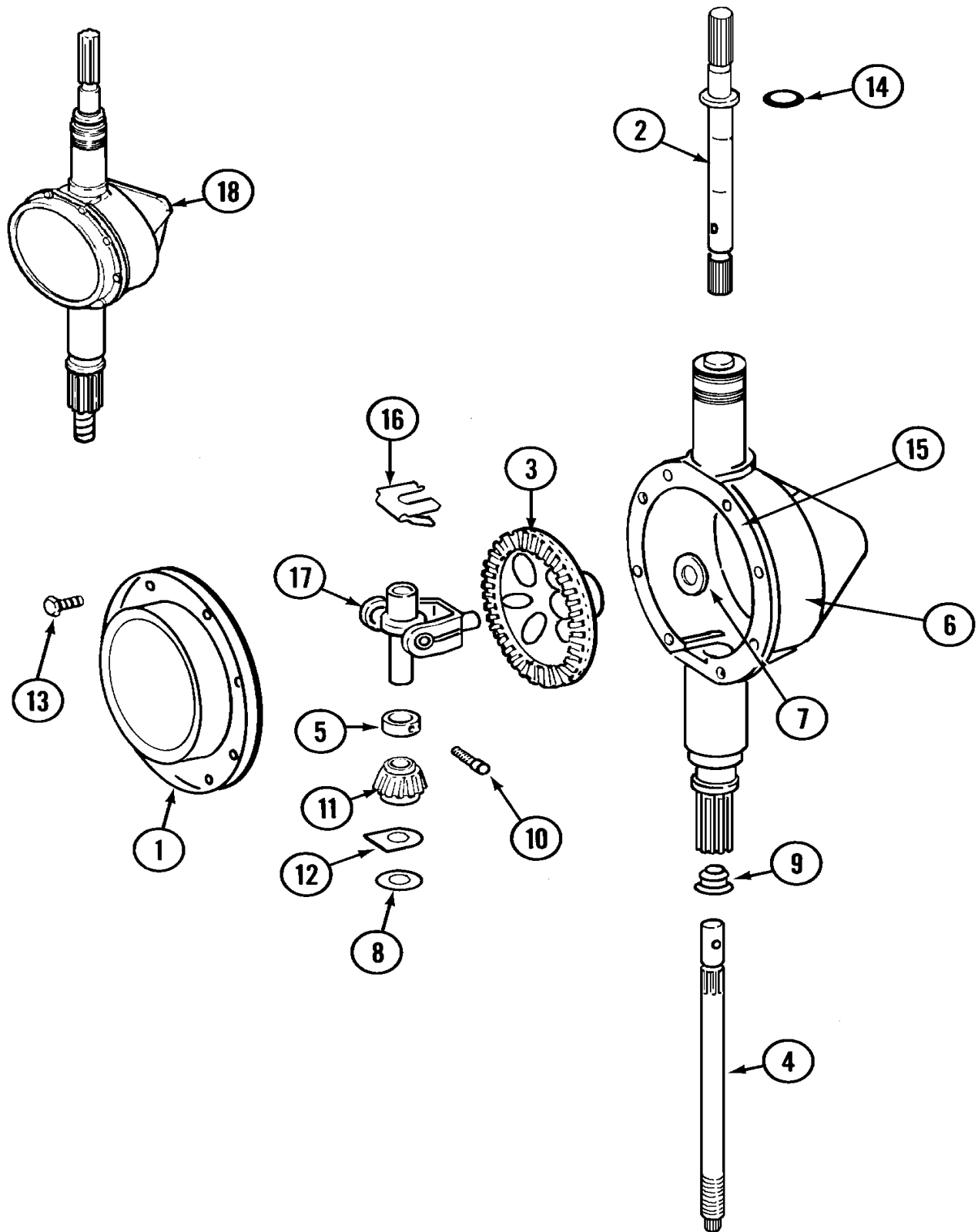
Section: BASE

No.	Part No.	Description	Series	Qty
1	302699	LEG, ADJUSTABLE (W/NUT)	A0	4
2	22001172	BASE (W/DAMPER PADS)	A0	1
3	015627	SCREW, HEX HD CAP 5/16 X 5/8	A0	6
4	200744	BOLT & GASKET ASSY.(SHORT) Note: BOLT & GASKET ASSY. (SHORT)	A0	1
4	205254	BOLT & GASKET ASSEMBLY (LONG)	A0	2
5	213100	BRACE, TUB	A0	3
6	22001300	SPRING, CENTERING	A0	3
7	203725	DAMPER W/BOLT & CLIP	A0	1
8	203956	DAMPER PAD KIT (W/POLY LUBE)	A0	1
9	213073	WASHER, DOUBLE Note: WASHER, DOUBLE	A0	3
10	214768	DRAIN HOSE, 4 FOOT Note: HOSE, INTERNAL DRAIN	A0	1
11	216416	BOLT, EYE/CENTERING SPRING	A0	3
12	901220	WIRE, GROUND Note: WIRE, GROUND MOTOR	A0	1
13	212989	HOSE, OUTER TUB TO PUMP Note: HOSE, OUTER TUB	A0	1
14	200461	HOSE CLAMP - 1-5/8 INCH Note: CLAMP, HOSE	A0	1
15	202574	CLAMP, HOSE Note: CLAMP, HOSE (TUB HOSE)	A0	1
16	311426	NUT, WASHERED LOCK Note: NUT, MOTOR BASE	A0	3
17	22001301	MOUNT, MOTOR LOWER-ASSEMBLY	A0	1
18	202496	PULLEY, MOTOR (W/SET SCREW)	A0	1
19	202157	MOTOR (ONE SPEED - EXPORT) Note: MOTOR (ONE SPEED-EXPORT)	A0	1
20	211028	DEFLECTOR,WATER (DRIVE TUBE) Note: DEFLECTOR, WATER (DRIVE TUBE)	A0	1
21	911852	WASHER, LOCK (BRACE)	A0	6
22	205131	SWITCH, MOTOR START Note: SWITCH, MOTOR START	PROD. # 207424-2	A0 1
22	205132	SWITCH, MOTOR START Note: SWITCH, MOTOR START	PROD. # 201664-14, 205463-4 &	A0 1
22	206505	SWITCH, MOTOR START Note: SWITCH, MOTOR START	PROD. # 201664-15 & 205463-3	A0 1
23	215098	SHIELD, MOTOR	A0	1
24	052734	NUT Note: NUT, BRACE (TUB)	A0	3
25	052785	NUT,BRACE TO DAMPER Note: NUT, BRACE (DAMPER)	A0	6
26	210385	NUT, LOCK	A0	4
27	211949	NUT, EYEBOLT	A0	3
28	202203	PUMP AS PAK	A0	1
29	204998	GLIDE KIT (4 W/POLY LUBE)	A0	1
30	212979	WASHER, TUB BRACE	A0	3
31	210684	FOOT, RUBBER	A0	4
32	015408	SCREW, BEARING INSERT	A0	1
33	210186	SCREW, GROUND WIRE TO BASE--NA Note: SCREW, GROUND WIRE	A0	1
34	211880	SCREW, HEX HD #10 X 1/2 INC Note: SCREW, PUMP	A0	3
35	213121	SCREW Note: SCREW, MOTOR SHIELD	A0	1
36	22001353	SCREW Note: SET SCREW, MOTOR PULLEY	A0	1
37	205000	GLIDE & SPRING KIT	A0	1
38	214956	MOUNT, MOTOR/UPPER	A0	1
39	054867	WASHER, LOCK Note: WASHER, LOCK (BRACE)	A0	3
40	211100	WASHER, CUSHION Note: WASHER, CUSHION (BRACE)	A0	3
41	201101	CAPACITOR	A0	1
42	211149	CLIP, CAPACITOR Note: CLIP, CAPACITOR	A0	1
43	211294	SCREW Note: SCREW, CLIP	A0	2
44	211451	PUMP BELT 120-50 240-50 Note: V BELT, PUMP (EXPORT)	A0	1
45	211948	DRIVE BELT 120-50 240-50 Note: V BELT, DRIVE PULLEY (EXPORT)	A0	1

*Color Code (-)=Not Shown #=Series, Serial Prefix or Run No., N=Not Available

Section: TRANSMISSION

Model: MAT10CSAGW



LW15-14

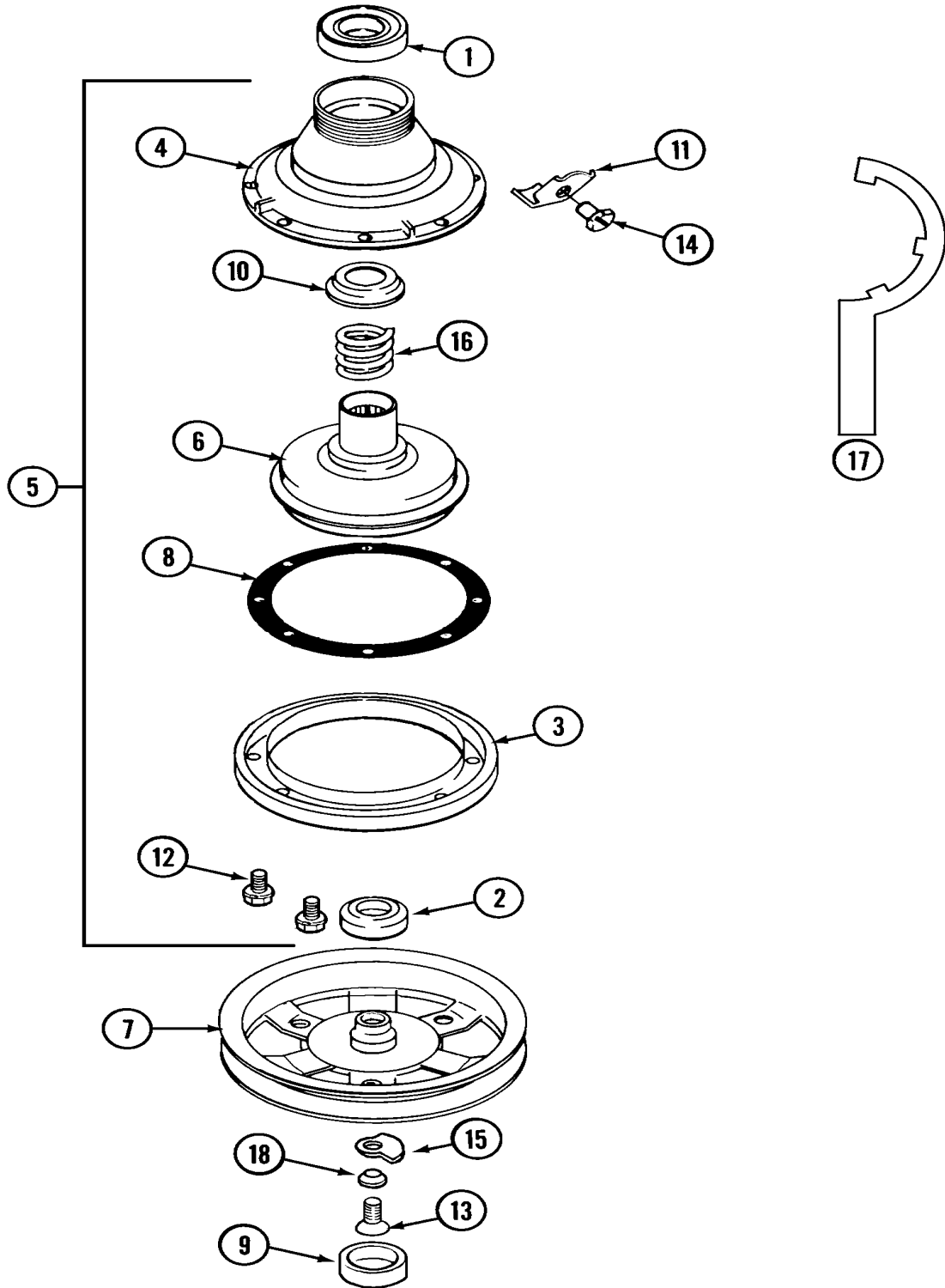
Section: TRANSMISSION

No.	Part No.	Description	Series	Qty
1	206628	COVER, TRANSMISSION	A0	1
2	207153	SHAFT, AGITATOR (W/SPRING) Note: SHAFT, AGITATOR (W/SPRING)	A0	1
3	206713	GEAR, BEVEL	A0	1
4	N 215411	SHAFT, CENTER	A0	1
5	215415	COLLAR, LOWER Note: COLLAR (LWR)	A0	1
6	206625	HOUSING, TRANSMISSION	A0	1
7	215394	WASHER, BEVEL GEAR	A0	1
8	211483	WASHER, SPLINED	A0	1
9	206602	SEAL, LIP (CENTER SHAFT) Note: SEAL, LIP (CNTR SHAFT)	A0	1
10	206629	PIN, COLLAR	A0	1
11	215401	PINION	A0	1
12	215395	PLATE, CLUTCH	A0	1
13	215417	SCREW, TRANSMISSION COVER	A0	8
14	210690	SEAL, RUBBER	A0	1
15	058700	SILASTIC,ADH.SEALANT Note: SILASTIC, ADH. SEALANT (3 OZ.)	A0	1
16	215581	SPRING, AGITATOR SHAFT	A0	1
17	206685	BLOCK, TORQUE AND YOKE ASSEMBL	A0	1
18	206708	TRANSMISSION Note: TRANSMISSION (COMPLETE)	A0	1

*Color Code (-)=Not Shown #=Series, Serial Prefix or Run No., N=Not Available

Section: CLUTCH, BRAKE & BELTS

Model: MAT10CSAGW



Section: CLUTCH, BRAKE & BELTS

No.	Part No.	Description	Series	Qty
1	200720	BALL BEARING, RADIAL	A0	1
2	200835	BEARING, BRAKE ROTOR	A0	1
3	211043	DRUM, BRAKE	A0	1
4	211045	HOUSING, BRAKE	A0	1
5	201190	BRAKE ASSEMBLY	A0	1
6	201126	ROTOR, BRAKE (W/FACING)	A0	1
7	211059	PULLEY, DRIVE	A0	1
8	211042	GASKET, BRAKE DRUM	A0	1
9	N 211038	CAP, OIL RETAINER	A0	1
10	211039	RETAINER, BRAKE SPRING	A0	1
11	213325	CLIP, RETAINER	A0	1
12	211000	SCREW,HEX HEAD (BRAKE DRUM) Note: SCREW, HEX HEAD (BRAKE DRUM)	A0	8
13	211375	SCREW,STOP LUG(CENTER SHAFT) Note: SCREW, STOP LUG	A0	1
14	213326	SCREW, RETAINING CLIP Note: BOLT, RETAINING CLIP	A0	1
15	211089	LUG, STOP	A0	1
16	211041	SPRING, BRAKE	A0	1
17	038315	TOOL, BRAKE PKG ASSY	A0	1
18	211090	WASHER, LOCK Note: WASHER, LOCK (DRIVE LUG)	A0	1

*Color Code (-)=Not Shown #=Series, Serial Prefix or Run No., N=Not Available

