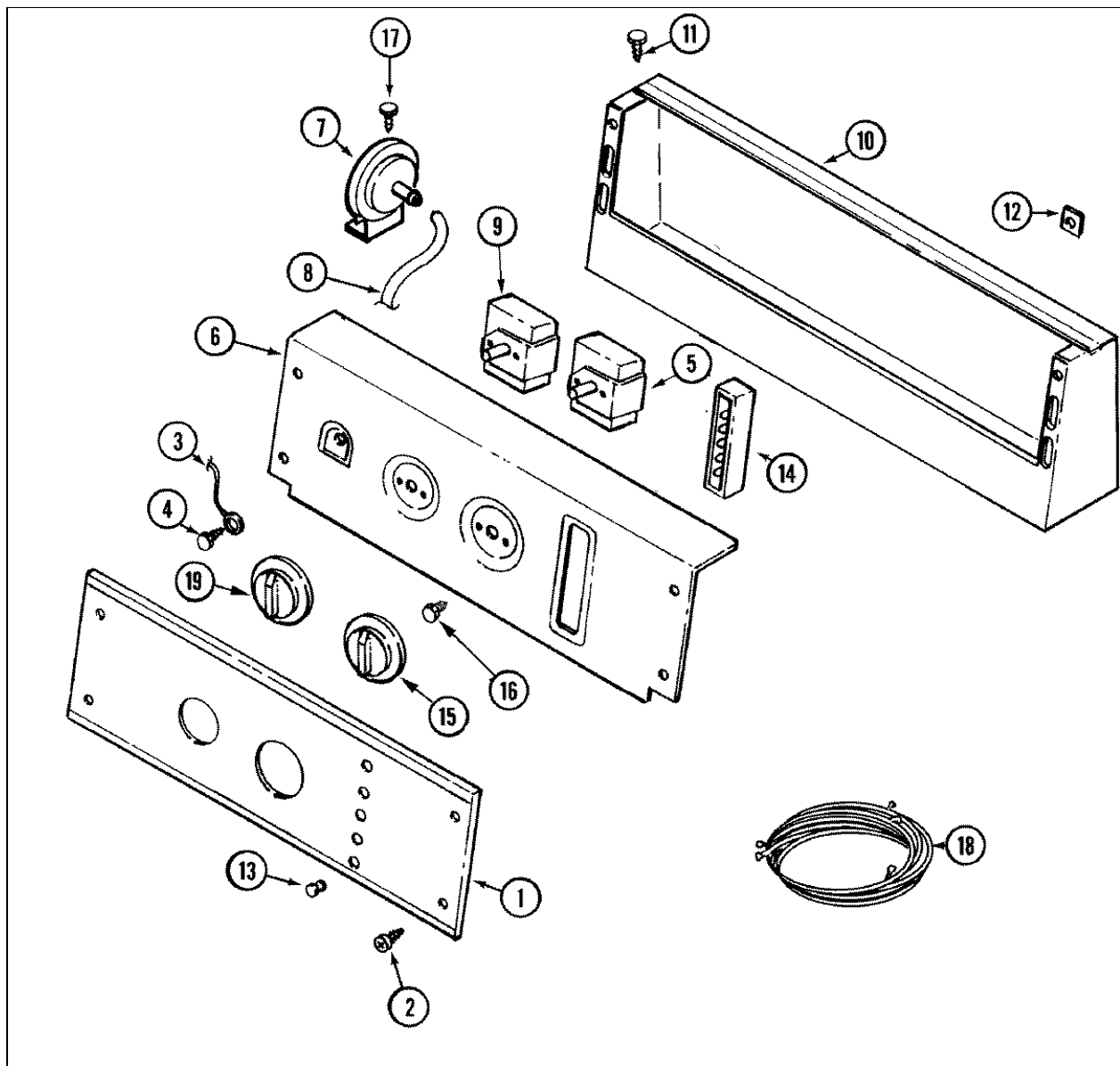


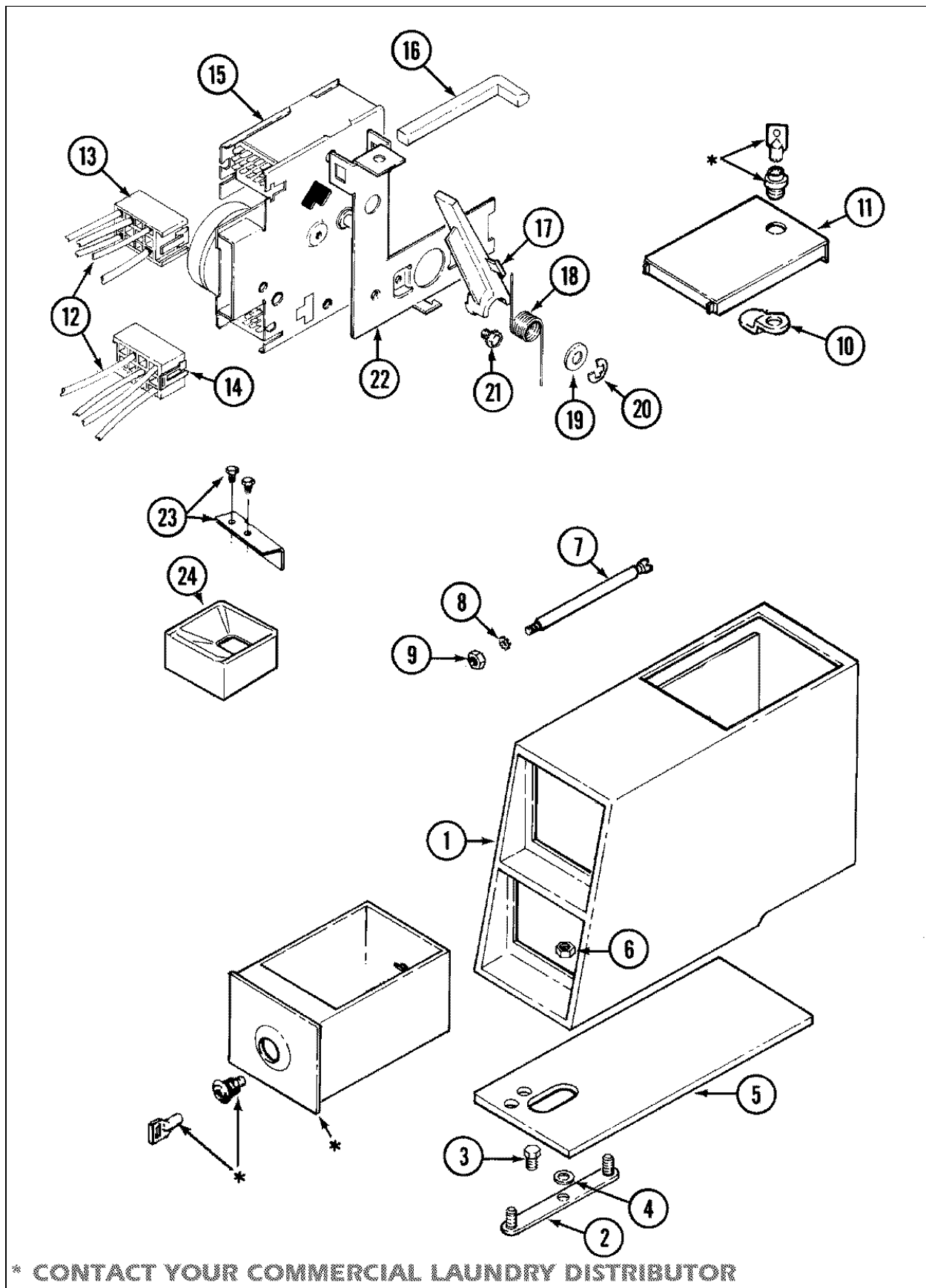
Print CONTROL PANEL



Parts for graphic: Enter text to search, leave blank to reset:

Img	Ref	PartNumber	Series	Description	Qty	Note	PartType	FDCP	Sub	SubFDCP	PartStatus
1	1	W10136396	10	CONTROL PANEL W/LENS	1			\$30.59			
1	2	215506	10	SCREW, TORX	4	F		\$4.20			
1	3	22001959	10	WIRE, GROUND	1	F		\$0.61			
1	4	22003817	10	SCREW, SERRATED WASHER HEAD HX	1	F		\$4.20			
1	5	33002788	10	PROGRAM SWITCH	1	F		\$0.49	205353	\$34.99	
1	6	W10136397	10	BRACKET, BACK (WHT)	1	F		\$5.99			
1	7	W10136401	10	SWITCH, PRESSURE	1	F		\$18.99			
1	8	22001619	10	TUBE, AIR	1			\$12.49			
1	9	W10136394	10	SWITCH, 2- WAY LOAD SIZE	1	F		\$10.99			
1	10	W10136402	10	CONSOLE (WHT)	1	F		\$20.49			
1	11	212276	10	SCREW	2	F		\$0.50	Y700502	\$4.20	
1	12	215003	10	FASTENER	2	F		\$4.20			
1	13	215564	10	LENS, INDICATOR (AMBER)	5			\$0.92			
1	14	206882	10	INDICATOR, 5 LIGHT 250V	1			\$34.13			
1	15	206894	10	KNOB W/BUMP	1	F		\$7.99			
1	16	Y313588	10	SCREW	2	F		\$4.20			
1	17	211168	10	SCREW, #8 X 5/16 INCH	2	F		\$0.50			
1	18	W10136400	10	HARNESS, WIRE CSL 240/50HZ	1	F		\$54.99			
1	-	22001922	10	SUB- HARNESS	1	F		\$3.79			
1	19	205663	10	KNOB FOR SELECTOR SWITCH	1	F		\$4.99			

Print CONTROL CENTER

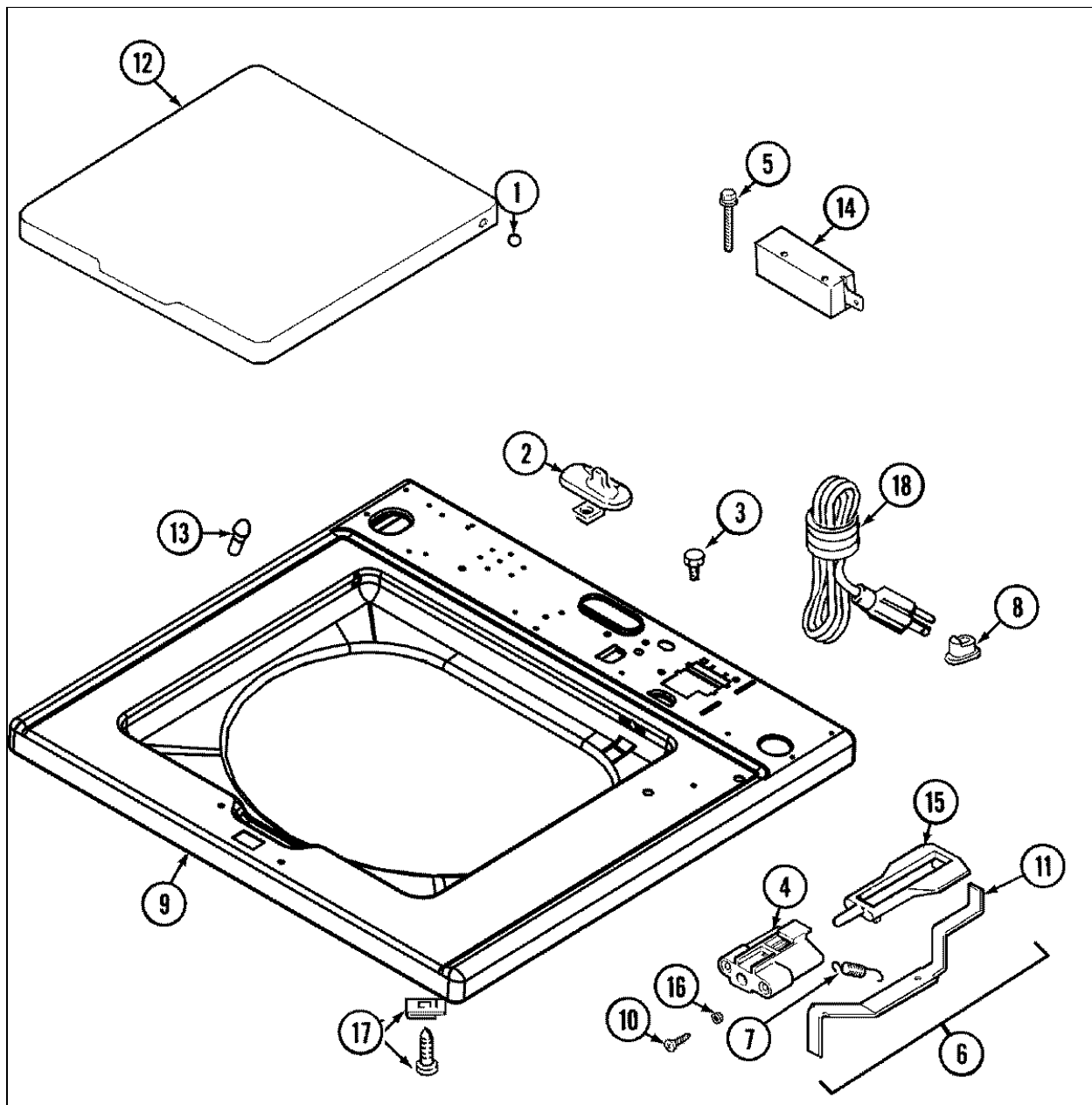


Parts for graphic: Enter text to search, leave blank to reset:

Img	Ref	PartNumber	Series	Description	Qty	Note	PartType	FDCP	Sub	SubFDCP	PartStatu
1	1	22002478	10	VAULT, COIN (WHT)CS	1		F	\$109.99			
1	2	22001810	10	STRAP, MOUNTING	1			\$2.41			
1	3	211294	10	SCREW	1		F	\$4.20			
1	4	910309	10	WASHER	1		F	\$4.20			
1	5	22001870	10	GASKET, COIN VAULT (WHT)	1		F	\$2.02			
1	6	Y052740	10	NUT	2		F	\$4.20			
1	7	22001903	10	LOCKING BOLT, COIN SLIDE	1		F	\$4.20			
1	8	910387	10	LOCK WASHER	2		F	\$4.20			
1	9	Y052721	10	NUT	1		F	\$4.20			
1	10	22003677	10	LOCKING CAM	1		F	\$4.20			
1	11	22003679	10	TIMER ACCESS DOOR ASSY (WHITE)	1			\$8.99			
1	12	22002256	10	WIRE HARNESS KIT	1		F	\$52.45			
1	13	22001885	10	HOUSING, CONNECTOR 1 (RT)----N	1			\$0.85			N
1	14	22001886	10	HOUSING, CONNECTOR 1 (LT)	1			\$0.85			
1	15	22001086	10	TIMER	1		F	\$79.99			
1	16	216442	10	ROD, ACTUATOR	1		F	\$4.20			
1	17	22001042	10	PIVOT ARM, TIMER	1		F	\$1.97			
1	18	214663	10	SPRING FOR TIMER LEVER	1		F	\$4.20			
1	19	22001398	10	RETAINER, SPRING---- NA	1			\$1.69			
1	20	Y312270	10	E CLIP	1		F	\$0.50			
1	21	216412	10	SCREW	2		F	\$4.20			
1	22	22001043	10	BRACKET, TIMER ACTUATOR	1		F	\$2.99			

1	23	22001811	10	KIT, WASHER	1	F	\$3.48	22003415	\$4.99
1	24	22002533	10	WELD ASSY., FUNNEL	1		\$6.99		
1	-	22001913	10	ACTUATION DOOR KIT (WHT)	1		\$82.72	22003600	\$64.90

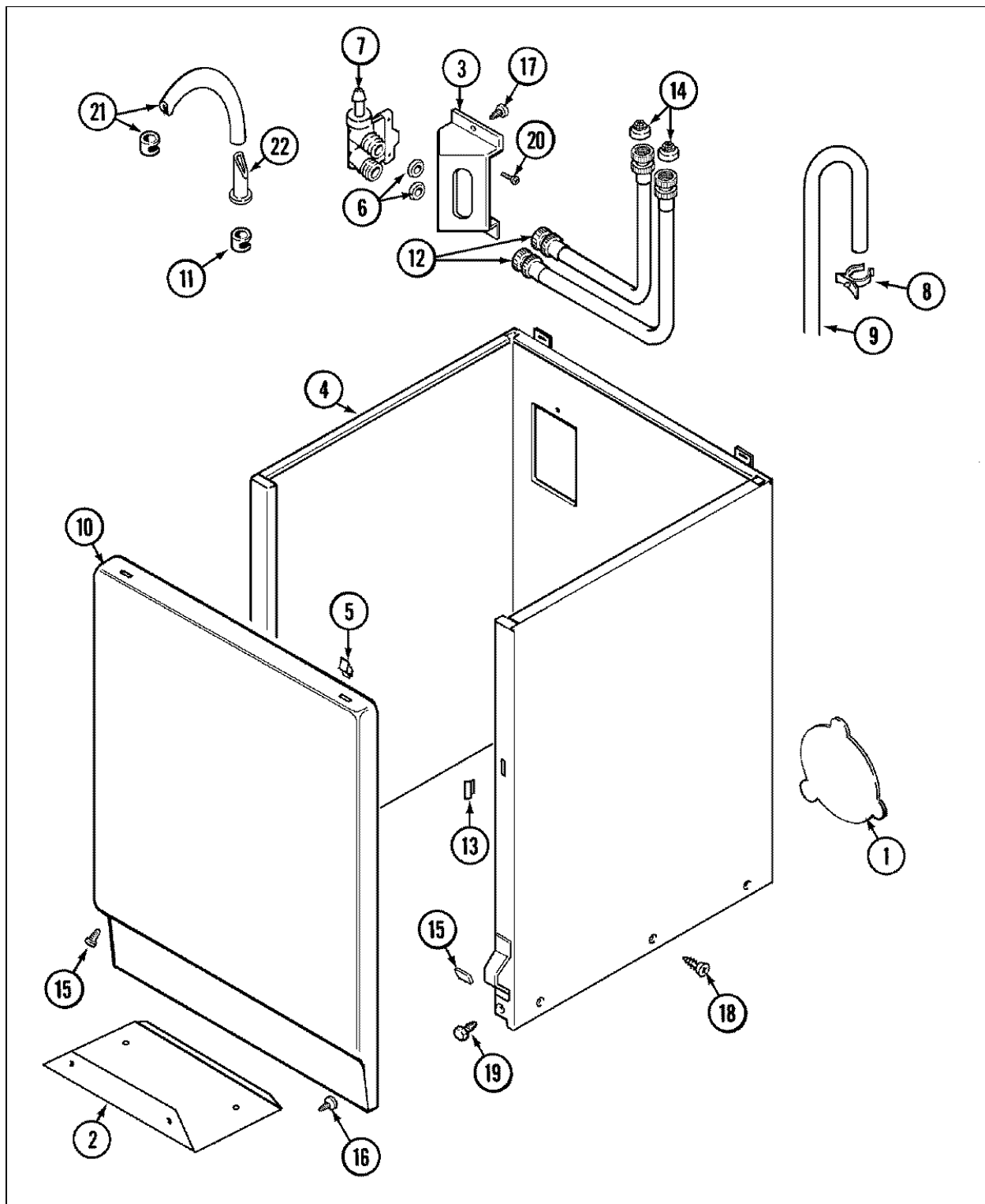
Print TOP



Parts for graphic: Enter text to search, leave blank to reset:

Img	Ref	PartNumber	Series	Description	Qty	Note	PartType	FDCP	Sub	SubFDCP	PartS
1	1	211726	10	HINGE, BALL	2		F	\$1.58			
1	2	22001298	10	CAP, TOP COVER	1			\$0.49			
1	-	207159	10	SCREW	1	Note	F	\$0.50	910647	\$4.20	
1	3	210186	10	SCREW, GROUND WIRE TO BASE-- NA	1	Note	F	\$4.20	22003817	\$4.20	
1	4	22002135	10	BRACKET, UNBALANCE	1		F	\$0.75			
1	5	213501	10	SCREW, #6-20 X 1-1/8 INCH	2	Note	F	\$4.20			
1	6	22001969	10	UNBALANCE LEVER ASSEMBLY	1		F	\$4.20			
1	7	213720	10	SPRING	1		F	\$4.20			
1	8	216183	10	GROMMET, CORD EXPORT	1		F	\$0.49			
1	9	22001970	10	COVER ASSY., TOP (WHT)	1			\$89.99			
1	10	910182	10	SCREW	2	Note	F	\$0.50	22001600	\$4.20	
1	11	22001672	10	LEVER, UNBALANCE	1			\$0.42			
1	12	22001341	10	LID W/LEGEND (WHT)	1	Note		\$39.99			
1	13	212716	10	BUMPER, LID	2			\$1.04			
1	14	22004243	10	SWITCH, LID	1		F	\$14.99			
1	15	216255	10	PLUNGER, UNBALANCE	1	Note	F	\$4.20			
1	16	211500	10	WASHER, BRACKE TO TOP COVER	2	Note	F	\$4.20			
1	17	204445	10	SCREW & FASTENER ASY.	2	Note	F	\$4.20			
1	18	22004358	10	CORD, POWER AS WRAPPED	1		F	\$4.99			

Print CABINET

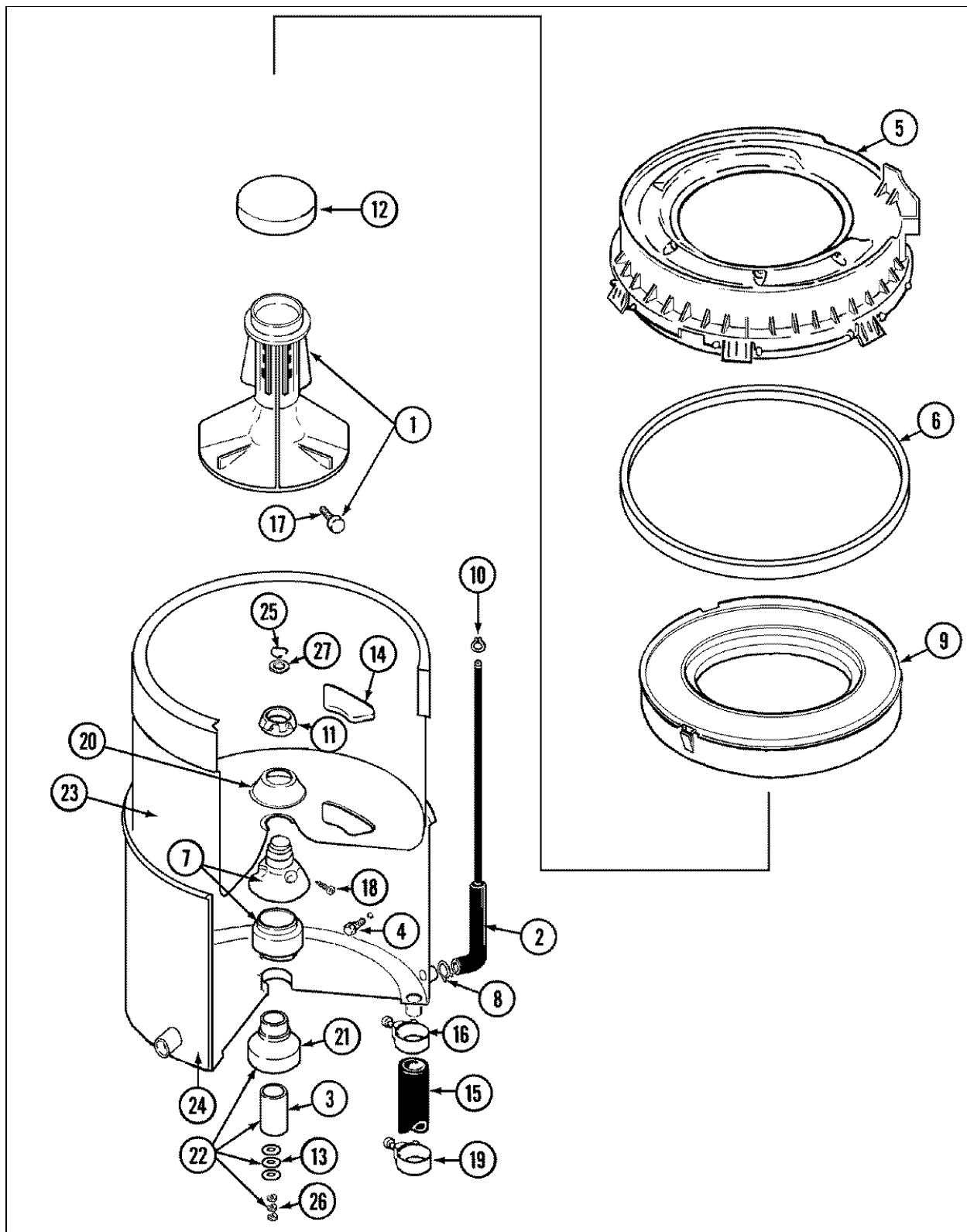


Parts for graphic: Enter text to search, leave blank to reset:

Img	Ref	PartNumber	Series	Description	Qty	Note	PartType	FDCP	Sub	SubFDCP	Part#
1	1	211878	10	PLATE, ACCESS	1			\$3.23			N
1	1	22002924	10	PLATE, COVER (W/HOLE)	1	Note		\$0.57			
1	-	211294	10	SCREW	2	Note	F	\$4.20			
1	2	22001624	10	GUARD, BELT	1			\$19.99			
1	3	22002361	10	BRACKET, VALVE	1		F	\$3.99			
1	4	22001302	10	CABINET (WHT)	1			\$119.99			N
1	4	22004425	15	CABINET WHT ASPACK	1			\$129.99			N
1	-	22002382	10	FASTENER, V- BRACKET	4		F	\$4.20			
1	-	22002425	10	BRACKET, "V"	2		F	\$1.99			
1	-	22001995	10	SCREW	4	Note	F	\$4.20			
1	5	22001650	10	FASTENER, SPRING	2		F	\$4.20			
1	6	Y013783	10	GASKET, INLET HOSE	2	Note	F	\$0.52			
1	7	22001605	10	VALVE, WATER 240V 50HZ	1		F	\$49.99			
1	-	205161	10	CLAMP - 15/16"	1	Note	F	\$4.20			
1	8	22002151	10	CLIP, HOSE	1		F	\$4.20			
1	9	22002700	10	HOSE, DRAIN	1		F	\$10.69	22003410	\$11.99	
1	-	22003814	10	RETAINER, DRAIN HOSE	1			\$0.50			
1	10	22001803	10	PANEL, FRONT (WHT)	1			\$84.99			
1	11	205161	10	CLAMP - 15/16"	1	Note	F	\$4.20			
1	12	35-3400	10	HOSE, INLET (COLD)	1		F	\$9.99			
1	12	35-3401	10	HOSE, INLET (HOT)	1		F	\$9.99			
1	13	22002331	10	SPACER	2		F	\$4.20			
1	14	22002960	10	STRAINER, WASHER INLET	2			\$0.50			
1	15	213325	10	CLIP, RETAINER	2		F	\$0.50			
1	15	22001496	10	SCREW, TORX	2	Note	F	\$4.20			
1	16	211294	10	SCREW	3	Note	F	\$4.20			
1	17	22003817	10	SCREW, SERRATED WASHER HEAD HX	2		F	\$4.20			
1	18	33002190	10	SCREW (#10- 3/8")	3		F	\$4.20			
1	19	213121	10	SCREW SCREW,CBNT.TO	3	Note	F	\$4.20			

1	19	213122	10	FRNT OF BASE-- NA	2	Note F	\$4.20	27001200	\$4.20
1	20	313561	10	SCREW----NA	2	Note F	\$4.20	Y313561	\$4.20
1	21	22001608	10	INJECTOR HOSE & BACKFLOW ASSY.	1	Note F	\$9.71	22001954	\$6.99
1	22	22001900	10	PREVENTER, BACK FLOW	1	F	\$4.20		

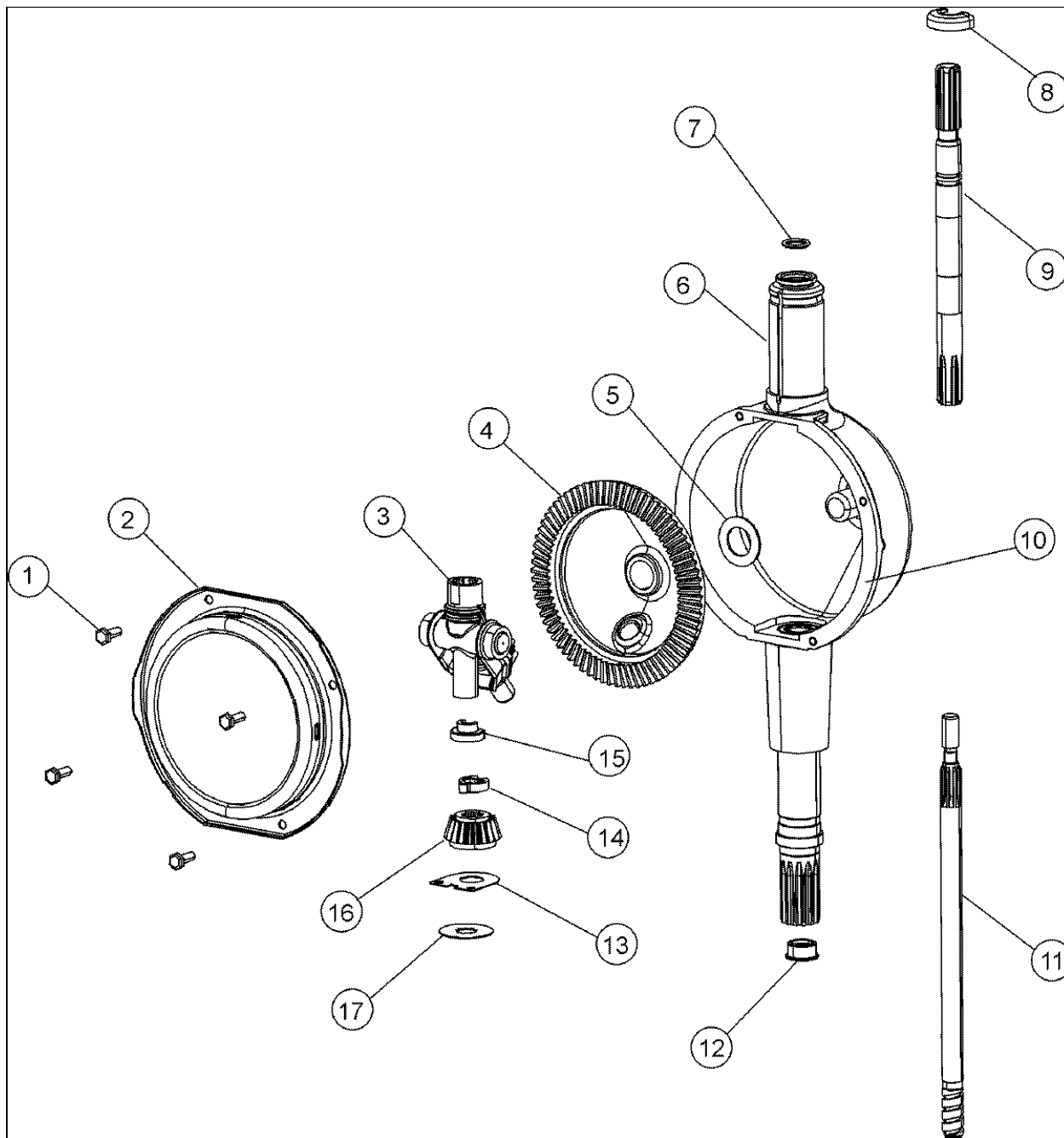
Print TUB



Parts for graphic: Enter text to search, leave blank to reset:

Img	Ref	PartNumber	Series	Description	Qty	Note	PartType	FDCP	Sub	SubFDCP	F
1	1	208543	10	AGITATOR (W/LOCK SCREW)	1	Note	F	\$39.99			
1	2	22001619	10	TUBE, AIR	1			\$12.49			
1	3	211130	10	LINER, TUB BEARING	1		F	\$14.99			
1	4	205254	10	BOLT & GASKET ASSEMBLY (LONG)	2		F	\$4.20			
1	4	200744	10	BOLT & GASKET ASSY.(SHORT)	1		F	\$4.20			
1	5	22001606	10	COVER ASSY., TUB	1			\$18.25	12001270	\$34.99	
1	6	Y22001201	10	GASKET, TUB COVER---S	1	Note	F	\$3.18	22001007	\$3.99	
1	7	22001648	10	MOUNTING STEM AND SEAL KIT	1			\$64.66	22204012	\$72.99	
1	8	211641	10	CLAMP, 1-1/16"	1	Note	F	\$4.20			
1	9	22001142	10	RING, BALANCE (W/CONCRETE)	1	Note	F	\$39.99			
1	10	410296	10	CLAMP, WATER LEVEL SWITCH TUBE	1	Note		\$0.42			N
1	11	211047	10	NUT, CLAMPING (INNER TUB)	1		F	\$5.26			
1	12	215532	10	AGITATOR CAP - BLACK	1	Note	F	\$1.99			
1	13	211100	10	WASHER, CUSHION	3		F	\$4.20			
1	14	215980	10	PLUG, FILTER HOLE	2	Note		\$1.09			
1	15	Y212989	10	HOSE, OUTER TUB TO PUMP	1	Note	F	\$15.89			
1	16	22001640	10	CLAMP, HOSE	1			\$1.46	22001820	\$4.20	
1	17	206478	10	SCREW & WASHER FOR AGITATOR	1	Note	F	\$4.20			
1	18	22001423	10	SCREW, SET (TORX)	1	Note	F	\$4.20			
1	19	22001640	10	CLAMP, HOSE	1	Note		\$1.46	22001820	\$4.20	
1	20	211210	10	WASHER, CLAMPING NUT(STAINLESS)	1	Note	F	\$4.20			
1	21	200824	10	BEARING, TUB	1		F	\$34.99			
1	22	204013	10	TUB BEARING REPAIR KIT	1		F	\$55.64			
1	23	22001140	10	TUB, INNER (LARGE-WHT)	1		F	\$134.99	Y2201881	\$179.99	
1	24	22003312	10	TUB, OUTER (AS PACKED)	1		F	\$109.99			
1	25	Y015667	10	RETAINING RING	1		F	\$0.50			
1	26	Y054867	10	WASHER, LOCK	3		F	\$4.20			
1	27	Y015666	10	WASHER, RETAINING (CENTER SEAL)-	1	Note	F	\$4.20			

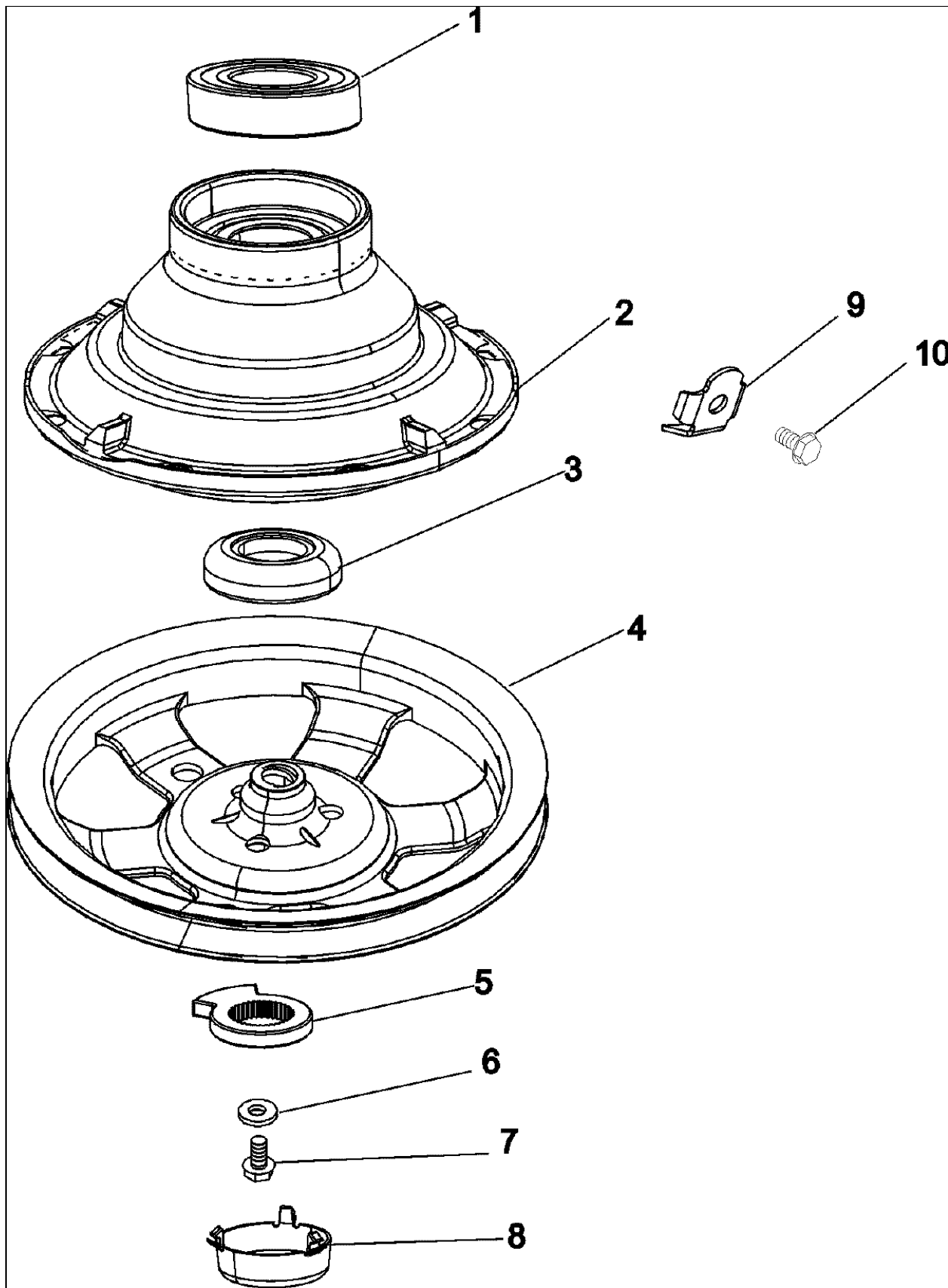
Print TRANSMISSION



Parts for graphic: Enter text to search, leave blank to reset:

Img	Ref	PartNumber	Series	Description	Qty	Note	PartType	FDCP	Sub	SubFDC
1	1	215417	10	SCREW, TRANSMISSION COVER	4		F	\$4.20		
1	2	206628	10	COVER, TRANSMISSION	1			\$13.14		
1	3	206685	10	BLOCK, TORQUE AND YOKE ASSEMBL	1		F	\$46.52		
1	4	206713	10	GEAR, BEVEL	1		F	\$59.99		
1	5	215394	10	WASHER, BEVEL GEAR	1		F	\$4.20		
1	6	22002537	10	HOUSING, TRANSMISSION (SHW)	1			\$90.17	22002127	\$209.99
1	7	22002417	10	O-RING AGITATOR SHAFT	1		F	\$1.00		
1	8	22002340	10	COLLAR, AGITATOR SHAFT	1		F	\$4.20		
1	9	22002415	10	SHAFT, AGITATOR	1		F	\$13.01		
1	10	Y058700	10	SILASTIC,ADH.SEALANT	1			\$5.00		
1	11	22002343	10	SHAFT, CENTER (SHALLOW TUB)	1		F	\$20.21		
1	12	207843	10	LIP SEAL REPAIR KIT	1		F	\$6.99		
1	13	215395	10	PLATE, CLUTCH	1		F	\$0.61		
1	14	22002353	10	COLLAR, CENTER SHAFT	1		F	\$1.59		
1	15	22002341	10	COLLAR, LOWER PLASTIC KEEPER	1		F	\$0.50		
1	16	215401	10	PINION	1		F	\$4.49		
1	17	211483	10	WASHER, SPLINED	1		F	\$4.20		
1	-	22002375	10	TRANSMISSION, ORB (SHALLOW TUB)	1		F	\$165.39	22002127	\$209.99

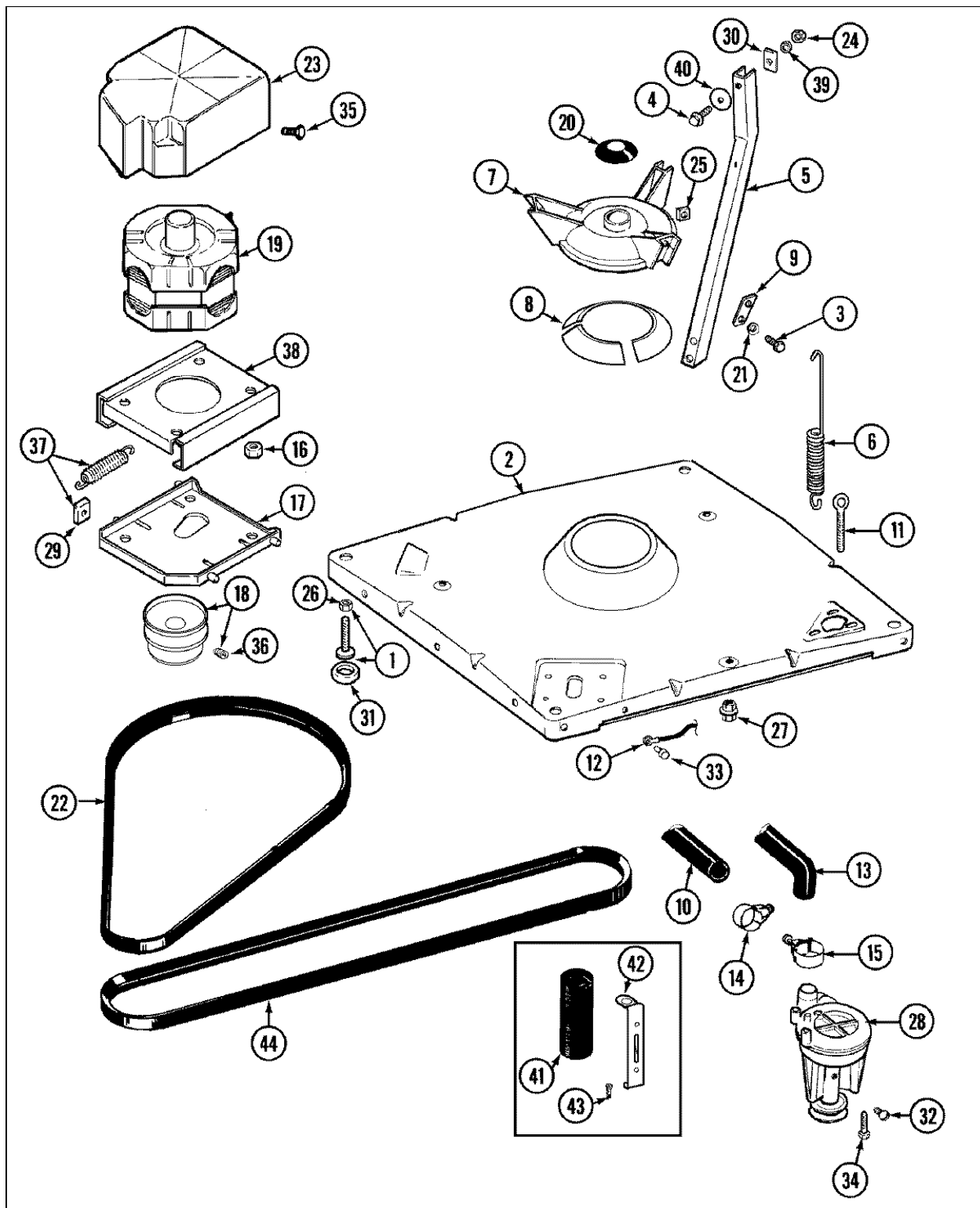
Print CLUTCH & BRAKE



Parts for graphic: Enter text to search, leave blank to reset:

Img	Ref	PartNumber	Series	Description	Qty	Note	PartType	FDCP	Sub	SubFDCP	PartStatu
1	1	Y200720	10	BALL BEARING, RADIAL----S	1		F	\$20.99	22003441	\$18.54	
1	2	201190	10	BRAKE ASSEMBLY	1		F	\$71.99			
1	3	200835	10	BEARING, BRAKE ROTOR	1		F	\$13.24			
1	4	22002429	10	PULLEY	1		F	\$24.99			
1	5	211089	10	LUG, STOP	1		F	\$2.40			
1	6	211090	10	WASHER, LOCK	1	Note	F	\$0.31	22003555	\$4.20	
1	7	211375	10	SCREW,STOP LUG(CENTER SHAFT)	1	Note	F	\$4.20			
1	8	22002428	10	COVER, DUST (PLASTIC)	1			\$0.80			
1	9	213325	10	CLIP, RETAINER	1		F	\$0.50			
1	10	213326	10	SCREW, RETAINING CLIP	1	Note	F	\$4.20			

Print **BASE**



Parts for graphic: Enter text to search, leave blank to reset:

Img	Ref	PartNumber	Series	Description	Qty	Note	PartType	FDCP	Sub	SubFDCP	PartS
1	1	22003428	10	LEG, ADJUSTABLE (W/NUT)	4			\$1.99			
1	2	22002150	10	BASE (W/DAMPER PADS)	1	F		\$64.99			
1	3	Y015627	10	SCREW, HEX HD CAP 5/16 X 5/8	6	F		\$4.20			
1	4	200744	10	BOLT & GASKET ASSY.(SHORT)	1	F		\$4.20			
1	4	205254	10	BOLT & GASKET ASSEMBLY (LONG)	1	F		\$4.20			
1	5	213100	10	BRACE, TUB	3			\$6.24			
1	6	22001300	10	SPRING, CENTERING	3	F		\$4.20			
1	7	203725	10	DAMPER W/BOLT & CLIP	1	F		\$39.99			
1	8	203956	10	DAMPER PAD KIT (W/POLY LUBE)	1	F		\$15.89			
1	9	213073	10	WASHER, DOUBLE	3	F		\$4.20			
1	10	22002700	10	HOSE, DRAIN	1	F		\$10.69	22003410	\$11.99	
1	11	216416	10	BOLT, EYE/CENTERING SPRING	3	F		\$4.20			
1	12	901220	10	WIRE, GROUND	1	F		\$0.50			
1	13	Y212989	10	HOSE, OUTER TUB TO PUMP	1	Note	F	\$15.89			
1	14	Y22001820	10	CLAMP, HOSE	1	F		\$4.20	22001820	\$4.20	
1	15	22001640	10	CLAMP, HOSE	1			\$1.46	22001820	\$4.20	
1	16	Y311426	10	NUT, WASHERED LOCK	3	Note	F	\$4.20			
1	17	22001301	10	MOUNT, MOTOR LOWER- ASSEMBLY	1	F		\$6.99			
1	18	Y202496	10	PULLEY, MOTOR (W/SET SCREW)	1	F		\$47.01			
1	19	22003660	10	MOTOR, SINGLE SPEED 50	1	F		\$119.99	12002352	\$129.99	
1	19	22004302	11	MOTOR, 1 SPEED 230V 50/60HZ	1	F		\$124.99	12002352	\$129.99	
1	20	22001586	10	DEFLECTOR, WATER	1	F		\$6.78			

1	21	911852	10	WASHER, LOCK (BRACE)	1	Note	F	\$4.20		
1	22	211948	10	DRIVE BELT 120-50 240-50	1		F	\$24.99		
1	23	215098	10	SHIELD, MOTOR	1			\$5.17		
1	24	Y052734	10	NUT	3	Note	F	\$4.20		
1	25	Y052785	10	NUT, BRACE TO DAMPER	6	Note	F	\$4.20		
1	26	210385	10	NUT, LOCK	4		F	\$4.20		
1	27	211949	10	NUT, EYEBOLT	3		F	\$4.20		
1	28	202203	10	PUMP AS PAK	1		F	\$59.49		
1	29	Y204998	10	GLIDE KIT (4 W/POLY LUBE)	1		F	\$3.54	205000	\$7.94
1	30	212979	10	WASHER, TUB BRACE	3		F	\$4.20		
1	31	210684	10	FOOT, RUBBER	4			\$3.17		
1	32	Y015408	10	SCREW, BEARING INSERT	1		F	\$0.31		
1	33	210186	10	SCREW, GROUND WIRE TO BASE--NA	1	Note	F	\$4.20	22003817	\$4.20
1	34	211880	10	SCREW, HEX HD #10 X 1/2 INC	3	Note	F	\$4.20		
1	35	213121	10	SCREW	1	Note	F	\$4.20		
1	36	22001353	10	SCREW	1		F	\$1.47		
1	37	205000	10	GLIDE & SPRING KIT	1		F	\$7.94		
1	38	214956	10	MOUNT, MOTOR/UPPER	1	Note		\$6.24		
1	39	Y054867	10	WASHER, LOCK	3	Note	F	\$4.20		
1	40	211100	10	WASHER, CUSHION	3	Note	F	\$4.20		
1	41	201101	10	CAPACITOR	1		F	\$15.75		
1	42	22001396	10	CLIP, CAPACITOR	1		F	\$0.55		
1	43	211294	10	SCREW	1		F	\$4.20		
1	44	211451	10	PUMP BELT 120-50 240-50	1		F	\$19.99		