



MDG52
Parts Manual
Phase 8

For Internal Use Only

**RETAIN THESE INSTRUCTIONS IN A SAFE PLACE
FOR FUTURE REFERENCE**

Whirlpool Corporation
Commercial Laundry
Benton Harbor, MI 49022
1-800-662-3587

Retain This Manual In A Safe Place For Future Reference

Retenir Ce Manual Dans Un Lieu Sûr Pour la Référence Future

For your convenience, log the following information:
Pour votre convenance, noter les informations suivantes:

DATE OF PURCHASE _____ MODEL NO. **MDG52**

LA DATE D'ACHAT _____ MODELER NO. _____

DISTRIBUTOR'S NAME _____

NOM DU DISTRIBUTEUR _____

Serial Number(s) _____

Le Numéro De Série _____

For replacement parts, contact the distributor from which
the dryer was purchased or contact:

Pour les parties de remplacement, contacter le distributeur
de liquel le plus sec a été acheté ou contacte:

Whirlpool Corporation

Commercial Laundry
Benton Harbor, MI 49022
1-800-662-3587

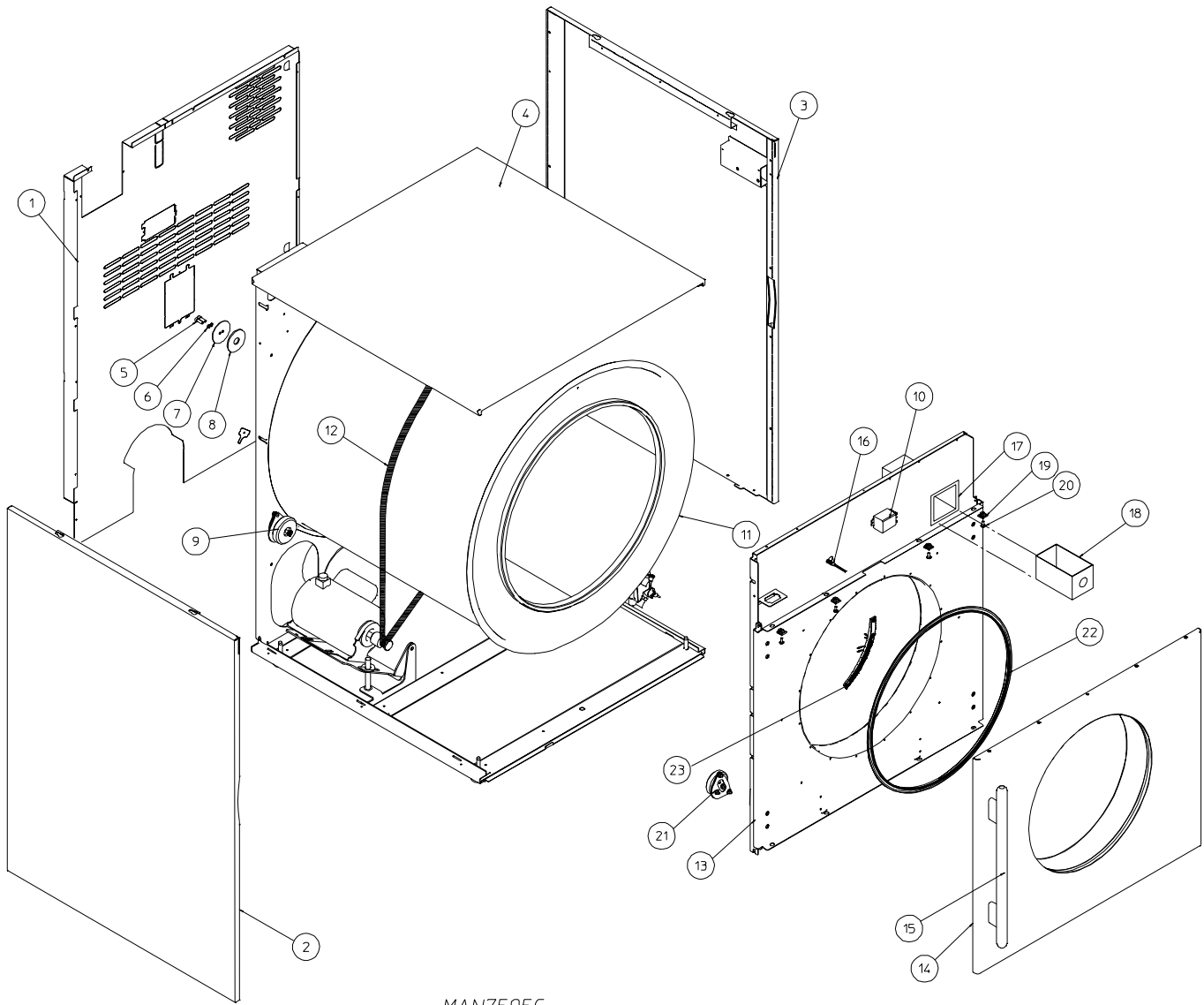
The illustrations on the following pages may not depict
your particular dryer exactly. The illustrations are a composite
of the various dryer models. Be sure to check the
descriptions of the parts thoroughly before ordering.

Les illustrations sur les pages suivantes ne peuvent pas peindre votre
particulier plus sec exactement. Les illustrations sent un composite
des drivers modèles plus secs. Etre sûr de vérifier les descriptions
des parties à fond avant commander.

Table of Contents

Complete Dryer Assembly	4
Microprocessor Control Panel Assembly	6
Complete Rear Tumbler Support Panel Assembly	8
Complete Lint Box and Lint Drawer Assembly	9
Totally Enclosed, Fan-Cooled Motor Mount Assembly	10
Natural Gas 60 Hz Burner Assembly	11
Complete Drive Motor Assembly	12
S.A.F.E. Assembly	13
Complete Tumbler Wheel Assembly	14

Complete Dryer Assembly

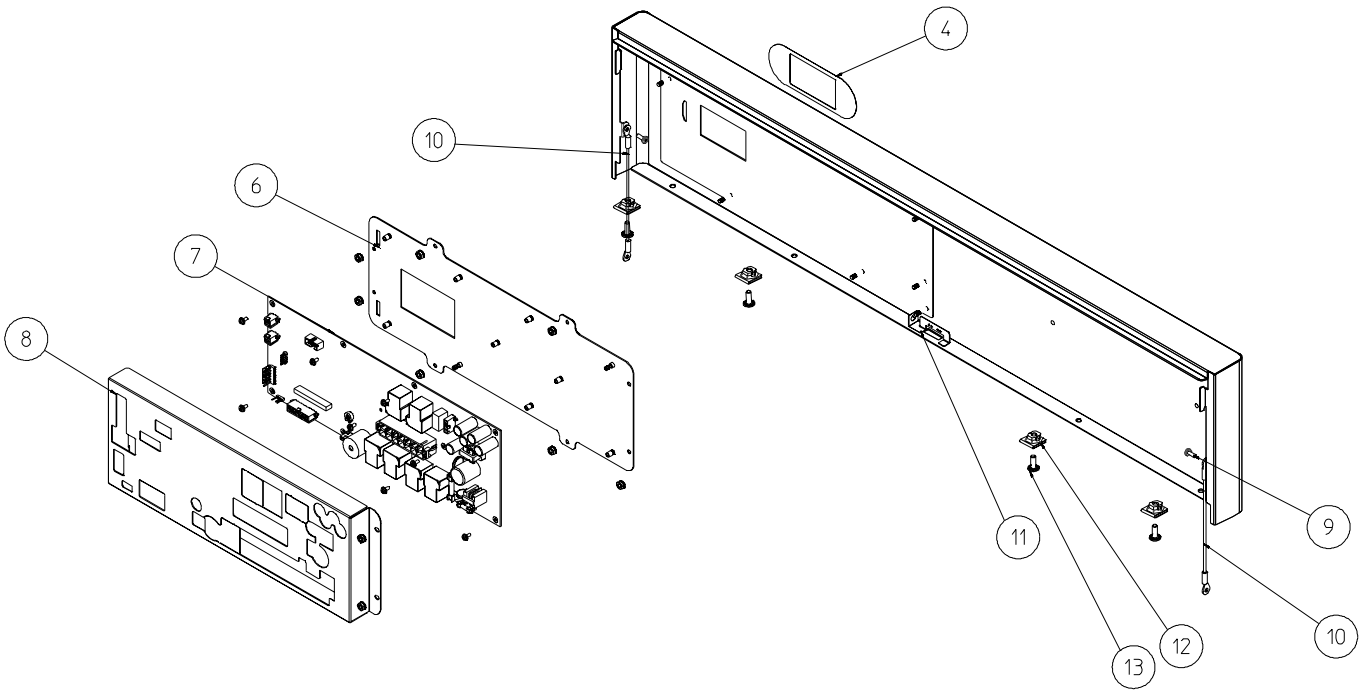
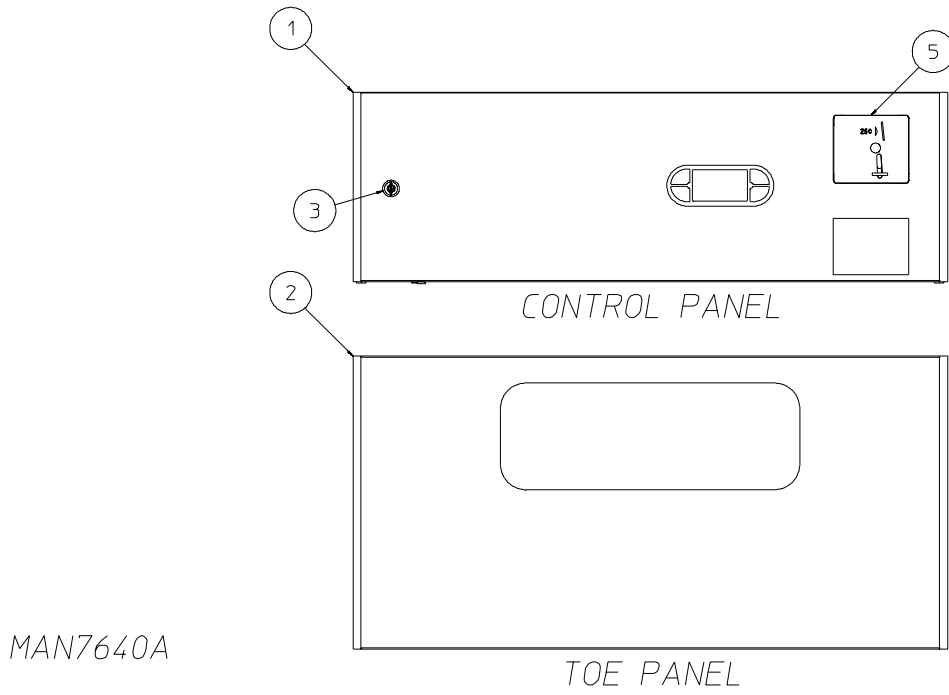


MAN7595C

<u>Illus. No.</u>	<u>Part No.</u>	<u>Qty.</u>	<u>Description</u>
1	822363	1	2-Piece Back Guard Assembly (gas and electric)
	320674	1	Top Back Guard (gas and electric)
	323372	1	Bottom Back Guard
2	815081	1	Tall Left Side Panel Assembly
3	815082	1	Tall Right-Hand Side Panel Assembly
4	815077	1	Top Panel Assembly
5	153064	2	1/4-20 x 1/2" Socket Cap Screw
6	153072	2	1/4" High Collar Lock Washer
7	185426	1	Dual Screw Backup Washer
8	153048	2	Inner Friction Pad
	354217	1	3/4" Plate Spacer ... Not Illustrated
	185240	1	Extended Tumbler Shaft ... Not Illustrated
9	851530	2	Rear Wheel Bracket Assembly (refer to Complete Tumbler Wheel Assembly on page 14)
10	131819	1	DPDT Reversing Relay 120
11	851374	1	Galvanized Tumbler Assembly
	851557	1	Stainless Steel Tumbler Assembly
	115909	1	Rear Tumbler Felt ... Not Illustrated
	115911	1	Front Tumbler Felt ... Not Illustrated
12	102415	1	15 Rib Drive Belt
13	887256	1	Non-Coin Front Support Panel with Auto (black)
	887257	1	Coin Front Support Panel (black)
14	881351*	1	Main Door Assembly with Handle (painted)
	851532	1	Main Door Assembly with Handle (stainless steel)
	103067	3	Door Hinge ... Not Illustrated
15	185183*	1	Main Door Handle
	185182	2	Standoff for Door Handle
16	818370	1	Rotation Sensor
17	851384	1	Coin Vault
	819286	1	Coin Vault Jumper Harness ... Not Illustrated
18	125916	1	Coin Box with 2 Keys (each lock keyed different)
19	154059	4	U-Nut Retainer
20	154364	4	#10-16 x 1/2" Phillips Truss Head Screw
21	851529	2	Front Wheel Bracket Assembly (refer to Complete Tumbler Wheel Assembly on page 14)
22	102397	1	Door Gasket
23	819365	1	Moisture Sensor

* Specify color when ordering.

Microprocessor Control Panel Assembly

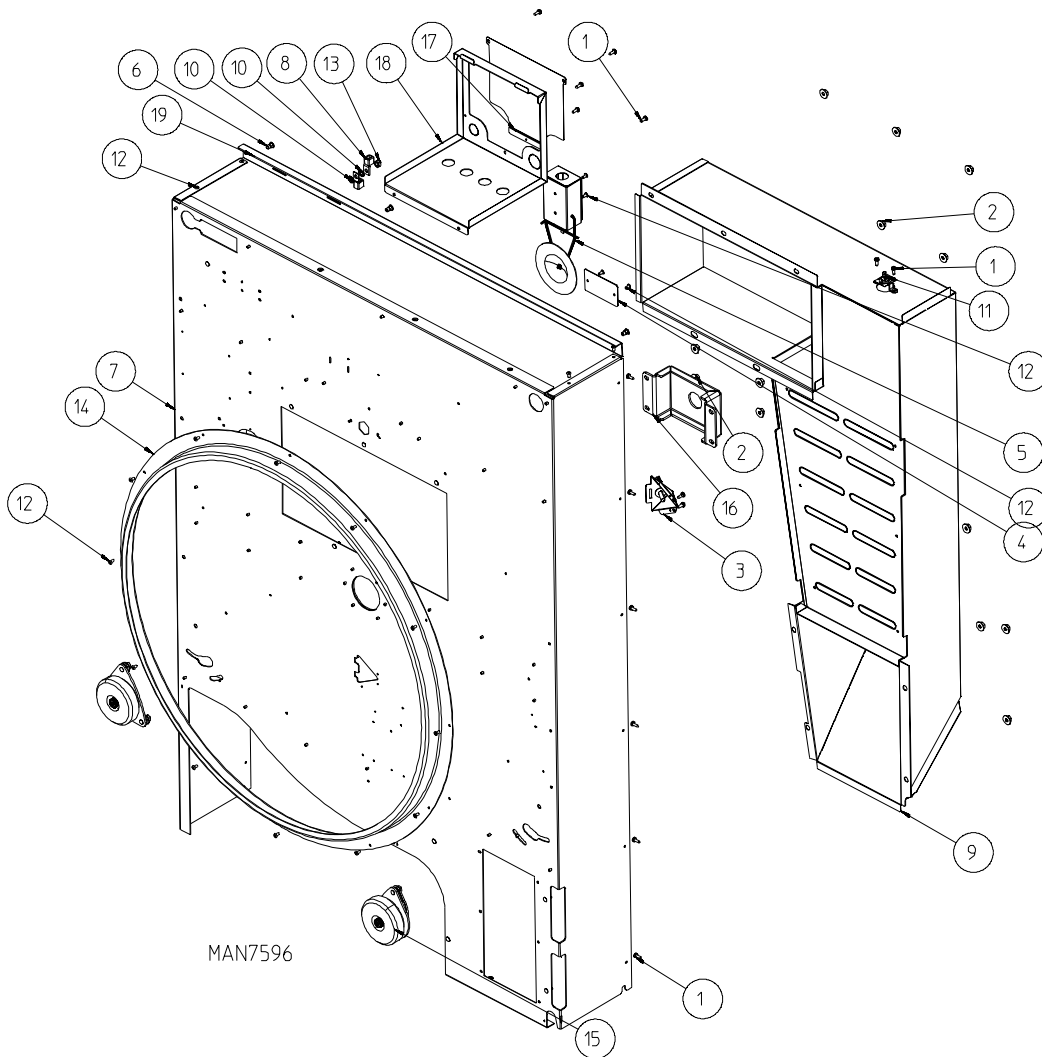


Microprocessor Control Panel Assembly

<u>Illus. No.</u>	<u>Part No.</u>	<u>Qty.</u>	<u>Description</u>
1	828423	1	Phase 8 Coin Control Panel Assembly Complete
	851518	1	Phase 8 Non-Coin Control Panel Assembly Complete
	828379	1	Phase 8 Coin Control Panel (panel Only)
	851517	1	Phase 8 Non-Coin Control Panel (panel Only)
2	814515*	1	Toe Panel (painted)
	814584	1	Toe Panel (stainless steel)
3	160070	1	XX4451 Lock Assembly
	160169	2	ZB7 Key
4	112605	1	3 Button Membrane Switch (coin Only)
	112586	1	Non-Coin Keypad
5	818213	1	25¢ Coin Acceptor Assembly with Optic Switch
	887041	1	Optic Switch ONLY (for 25¢ coin acceptor)
6	819508	1	Control Mount Assembly
7	887092	1	Phase 8 Microprocessor without Fire Suppression System (non-coin Only)
	887093	1	Phase 8 Microprocessor with Fire Suppression System (non-coin Only)
	884479	1	Phase 8 Coin Microprocessor (coin Only)
	819541	1	Coin Block Jumper Harness (non-coin Only)
	136116	1	3-Amp Fuse
	136056	1	20-Amp Fuse
8	350250	1	Computer Board Cover
9	150331	2	#8-18 x 1/2" TORX® Screw
10	121530	2	Panel Support Cable (for coin models)
	350303	2	Panel Support Bracket (for non-coin models) ... Not Illustrated
11	819196	1	Main Door Switch Assembly
	813411	1	Door Switch Extension Harness ... Not Illustrated
12	154059	4	Tinnerman U-Nut Retainer
13	154364	4	#10-16 x 1/2" Phillips Truss Head Screw

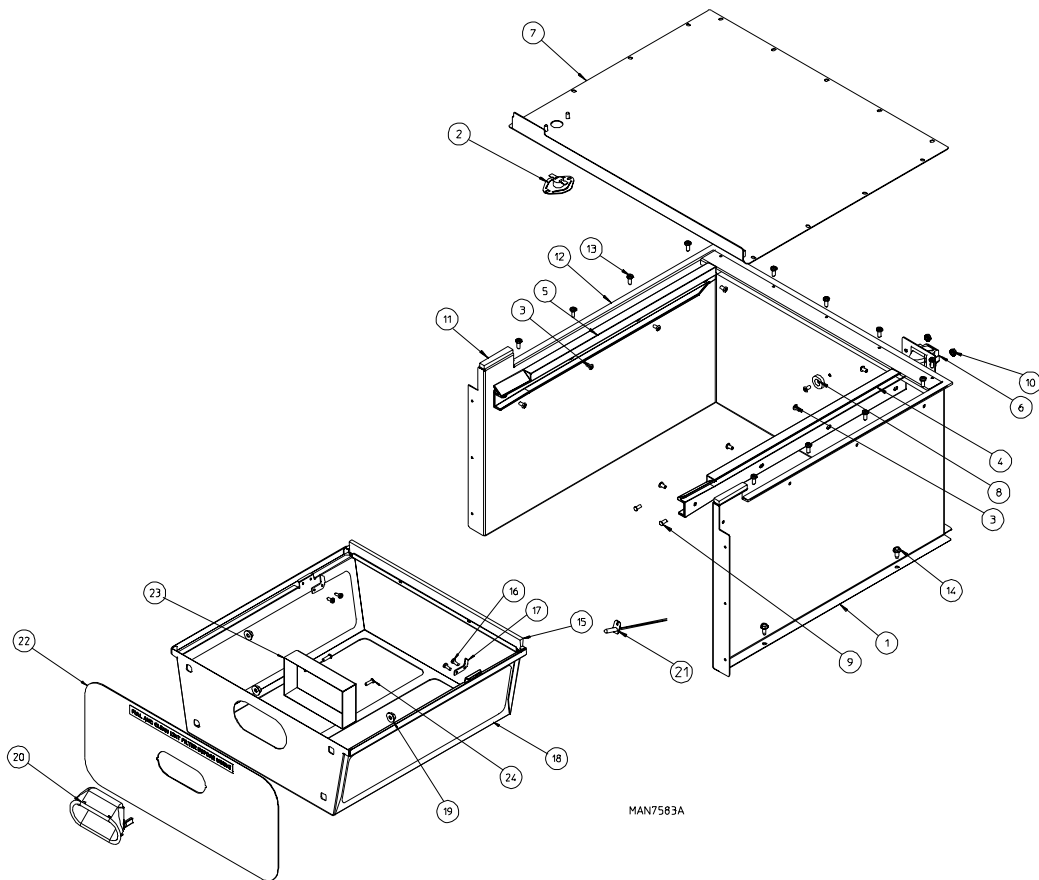
* Specify color when ordering.

Complete Rear Tumbler Support Panel Assembly



Illus. No.	Part No.	Qty.	Description
1	150331	22	#8-18 x 1/2" Pan Head TORX® Screw
2	152014	13	1/4-20 Serrated Hex Flange Nut
3	851258	1	Axial Probe Assembly
4	318691	1	Cover Plate for Models without S.A.F.E.
5	828238	1	Linkageless Sail Switch Assembly
6	152111	3	#10-32 Hex Body Rivnut
7	825961	1	Rear Tumbler Support Panel Complete (gas and electric) (includes illus. nos. 1 through 17)
	822358	1	Rear Tumbler Support Panel Only
8	121010	2	L70 14-4 Terminal Lug
9	851262	1	Heat Duct
10	153021	2	1/4" Star Washer
11	183112	1	205° Gas Hi-Limit Thermostat
12	154200	2	5/32" Pop Rivet
13	152002	1	1/4-20 Hex Nut
14	185156	1	Rear Bulkhead with Mounting Holes
15	851530	2	3-1/2" Wheel Bracket with 2 Shims Assembly
16	350228	1	Thrust Bearing Box
17	350238	1	Electric Box Cover Plate
18	319579	1	Rear Electric Box
19	315343	1	Deep Rear Tumbler Support Top Flange

Complete Lint Box and Lint Drawer Assembly

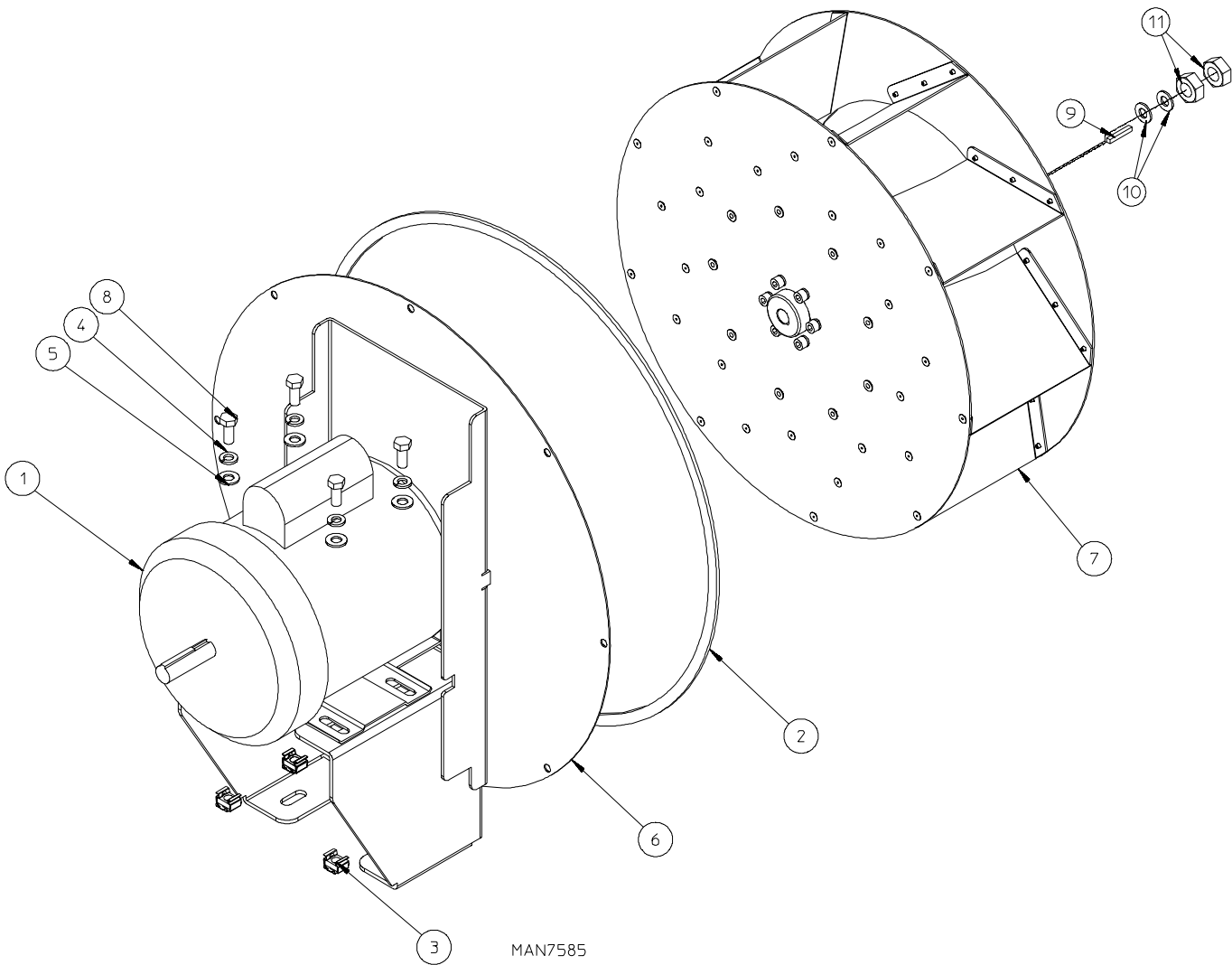


MAN7583A

Illus. No.	Part No.	Qty.	Description
1	834719	1	Large Lint Box Assembly Complete
	335058	1	Large Lint Box
2	130119	1	190° Thermostat
3	154200	9	#5-32 Pop Rivet
4	185215	1	Lint Drawer Rail Right Side
5	185216	1	Lint Drawer Rail Left Side
6	819523	1	Lint Drawer Switch Assembly
	122002	1	Lint Drawer Switch ONLY
7	834720	1	Lint Box Top Assembly
8	102004	1	0.75 Round Magnet
9	153564	2	#8-32 x 0.375 Clinch Stud
10	153073	2	#8-32 Keps Nut
11	117605	2	1/4" x 3/8" Sponge Tape (sold by the foot)
12	117604	1	1/8" x 3/8" Sponge Tape (sold by the foot)
13	150331	13	#8-18 x 0.5 TORX® Screw
14	150300	7	#10-16 x 0.75 Hex Washer
15	170171	1	Lint Drawer Brush
16	150331	4	#8-18 x 0.5 TORX® Screw
17	185423	2	Lint Drawer Stop
18	828429	1	Lint Drawer Assembly Complete (painted)
19	851536	4	Lint Drawer Clinch Nut Plate
20	185148*	1	Lint Drawer Handle (painted)
21	836028	1	Exhaust Temperature Probe
22	828429	1	Lint Handle Black with Graphics
23	333693	1	Handle Cup
24	150334	2	#8-16 x 5/8" Pan Head Plastic Screw

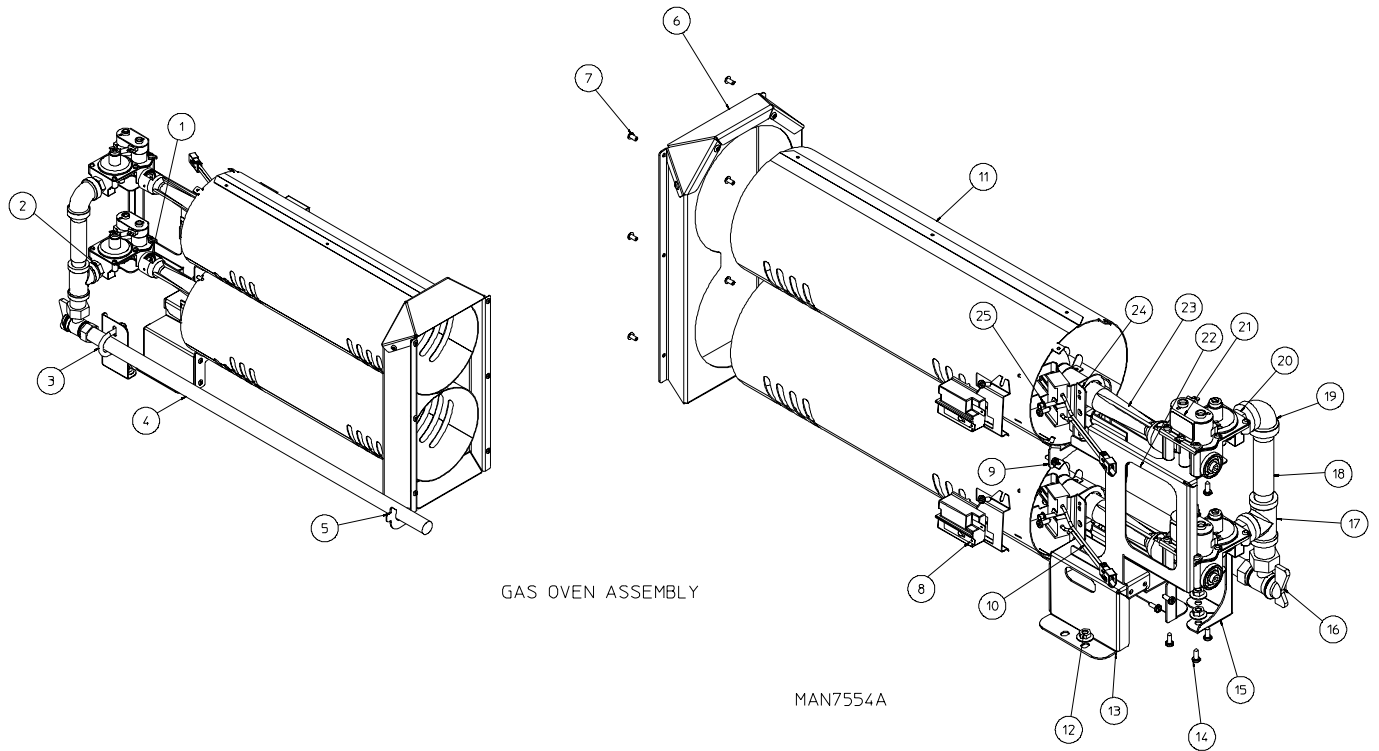
* Specify color when ordering.

Totally Enclosed, Fan-Cooled Motor Mount Assembly



<u>Illus. No.</u>	<u>Part No.</u>	<u>Qty.</u>	<u>Description</u>
1	834723	1	Large Blower Motor Assembly Complete (60 Hz)
	100069	1	3/4 hp Blower Motor (60 Hz)
2	117604	2	1/8" x 3/8" Sponge Tape (sold by the foot)
3	154000	5	5/16-18 Tinnerman Clip
4	153002	4	5/16" Lock Washer
5	153001	4	5/16" Flat Washer
6	834724	1	Large Motor Mount
7	822364	1	16" Riveted Impellor (1/2" Bore)
8	150501	4	5/16-18 x 3/4" Hex Bolt
9	100702	1	1/8" x 1/8" x 1-1/2" Key
10	153050	2	1/2" S.A.F.E. Flat Washer
11	152006	2	1/2-20 Left-Hand Jam Nut

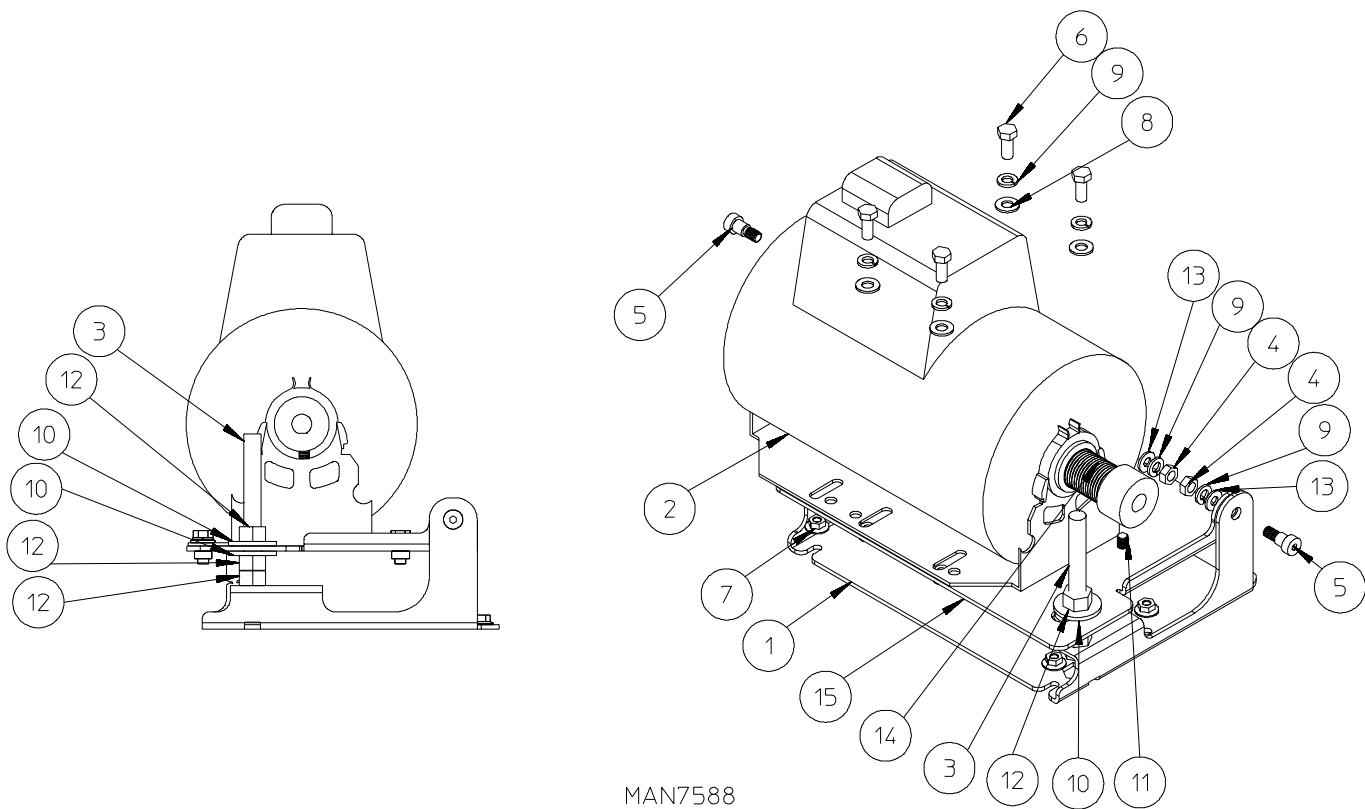
Natural Gas 60 Hz Burner Assembly



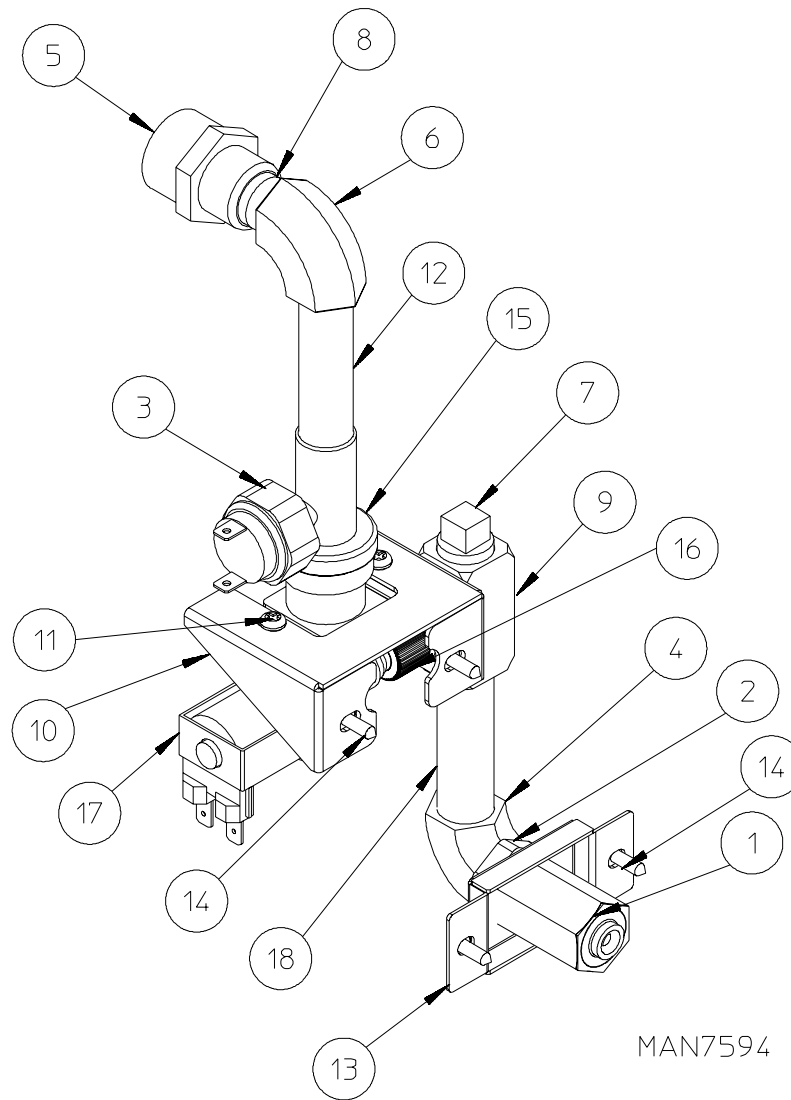
Illus. No.	Part No.	Qty.	Description
1*	140880	2	#22 Orifice Natural Gas
	140905	2	#44 Orifice Liquid Propane
	887296	1	Liquid Propane Conversion Kit
2	183137	2	3/8" Close Nipple Black Iron
3	154355	1	U-Bolt with Nuts for 1/2" Black Pipe
4	143351	1	1/2" x 31-3/4" Black Pipe
5	350226	1	Rear Gas Pipe Support
6	851387	1	Burner Funnel Transition Assembly
7	154200	14	5/32" Pop Rivet
8	130500	2	Radiant Heat Sensor
9	350217	1	Burner Funnel Top Lip Bracket
10	128910	2	Hot Surface Ignitor
11	815116	1	60 Hz Natural Gas Dual Burner Assembly
	884372	1	60 Hz Liquid Propane Gas Dual Burner Assembly
	350219	2	Round Gas Burner Funnel ONLY
12	152014	4	1/4-20 Free Spin Nut
13	350221	1	Dual Round Gas Burner Support Bracket
14	150331	19	#8-18 x 1/2" Pan Head TORX® Screw
15	350253	1	Front Gas Pipe Bracket
16	141321	1	Gas Shutoff Assembly
17	142820	1	1/2" x 1/2" x 1/2" Black Iron Tee
18	142703	1	1/2" x 4" Black Iron Pipe
19	142500	1	1/2-90° Elbow
20	142953	2	3/8" x 1/2" Steel Bushing
21	128944	2	25M Gas Valve 120 VAC 60 Hz
22	350220	1	Dual Gas Valve Bracket
23	183144	2	In-Shot Tube
24	185063	2	Ignitor Bracket
25	183145	2	Hot Surface Ignitor Mounting Screw

* Consult factory for elevation over 2,000 feet for correct burner orifice size.

Complete Drive Motor Assembly

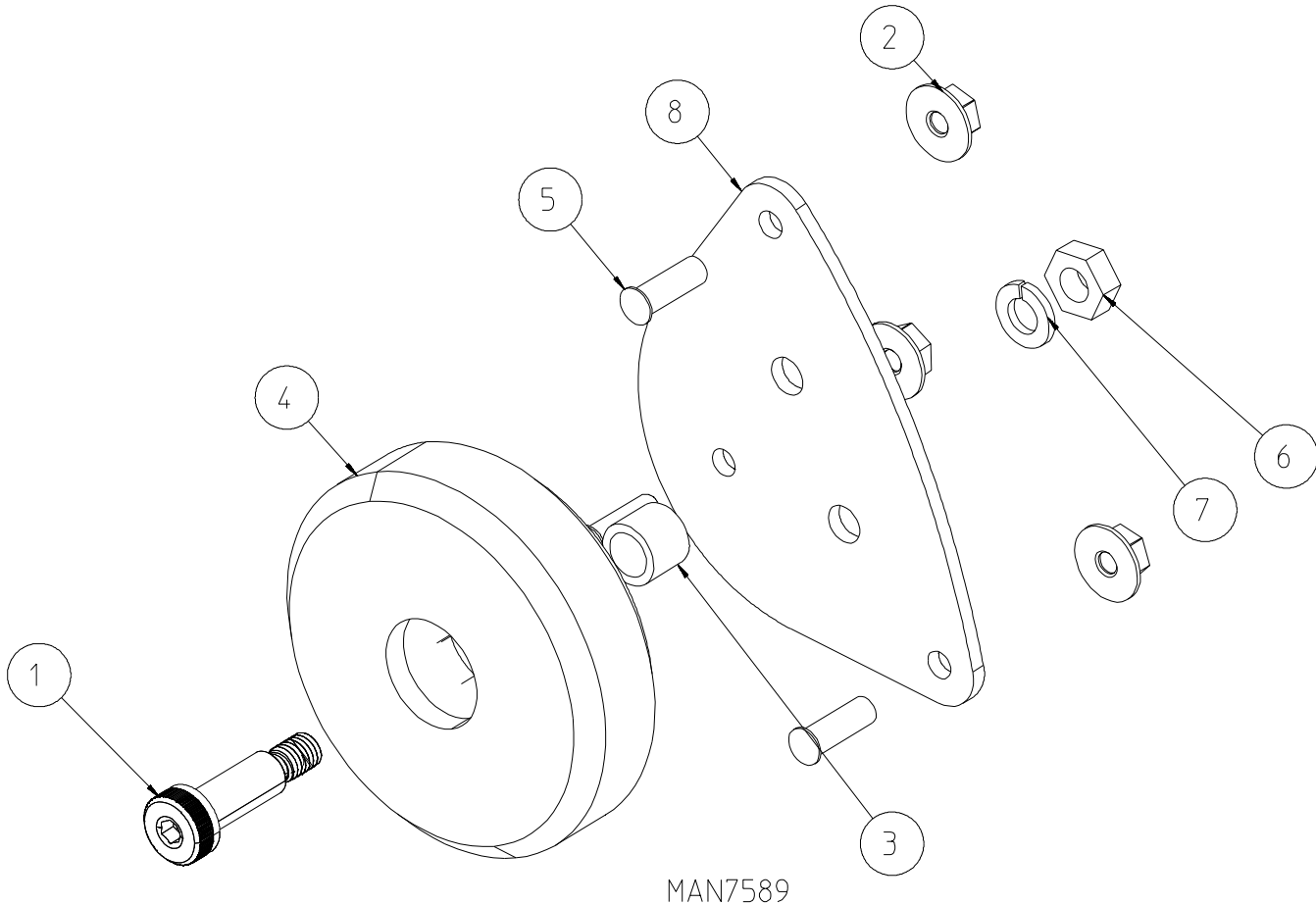


<u>Illus. No.</u>	<u>Part No.</u>	<u>Qty.</u>	<u>Description</u>
1	350301	1	Motor Mount Base Plate
2	851570	1	Drive Motor Assembly Complete (60 Hz)
	884303	1	Drive Motor with Sheave (60 Hz)
3	150609	1	1/2-13 x 4-1/2" Tap Bolt
4	152004	2	5/16-18 Hex Nut
5	154266	2	3/8" x 3/8" Shoulder Screw
6	150501	4	5/16-18 x 3/4" Tap Bolt Hex Head
7	152014	5	1/4-20 Free Spin Wash Nut
8	153001	4	5/16" Flat Washer
9	153002	6	5/16" Split Lock Washer
10	153033	2	1/2" x 1-3/8" Flat Washer
11	154321	1	5/16-24 x 3/8" Alan Setscrew
12	152011	3	1/2-13 Hex Nut
13	153018	2	1/4" Flat Washer
14	185420	1	60 Hz Motor Sheave
15	851543	1	Motor Platform Assembly



<u>Illus. No.</u>	<u>Part No.</u>	<u>Qty.</u>	<u>Description</u>
1	143581	1	3 GPM 3/8" N.P.T. Spray Nozzle
2	143303	1	3/8" N.P.T. Brass Lock Nut
3	136987	1	Water Jet Pressure Switch
4	143155	1	3/8" Brass Street Elbow
5	143025	1	3/4-11 NH x 3/8" N.P.T. Nylon Hose Adapter
6	143310	1	3/8" Brass 90° Elbow
7	143251	1	3/8" M.P.T. Brass Plug
8	143241	1	3/8" x Close Brass Nipple
9	143220	1	3/8" F.P.T. Brass Tee
10	319231	1	Water Valve Bracket
11	154338	2	M4 x 6mm Phillips Head Slotted Machine Screw
12	143242	1	3/8" x 2-1/2" Brass Nipple
13	318422	1	Spray Nozzle Bracket
14	150331	4	#8-18 x 1/2" Pan Head TORX® Screw
15	143182	1	3/4" GHT x 1/8" x 3/8" N.P.T. Brass Tee
16	143183	1	7/16-20 x 3/8" N.P.T. Brass Adapter
17	165120	1	Water Inlet Valve 24VDC
18	143323	1	3/8" x 3" Brass Nipple
	114110	1	S.A.F.E. Water Supply Warning Tag

Complete Tumbler Wheel Assembly



MAN7589

Illus. No.	Part No.	Qty.	Description
1	154264	1	10 M8 x 25mm Shoulder Bolt
2	152014	3	1/4-20 Free Spin Wash Nut
3	154284	1	Tumbler Wheel Spacer
4	180060	1	3-1/2" Tumbler Support Wheel
5	153557	3	1/4-20 x 3/4" Self-Clinching Stud
6	154013	1	M8 Hex Nut
7	153002	1	5/16" Lock Washer
8	350196	1	1/2" Wheel Bracket
	851529	1	Front Wheel Assembly Complete
	851530	1	Rear Wheel Assembly Complete ... Not Illustrated
	350198	2	Rear Wheel Bracket Shim ... Not Illustrated (rear Only)

Duplicate all parts for rear wheel assembly.

