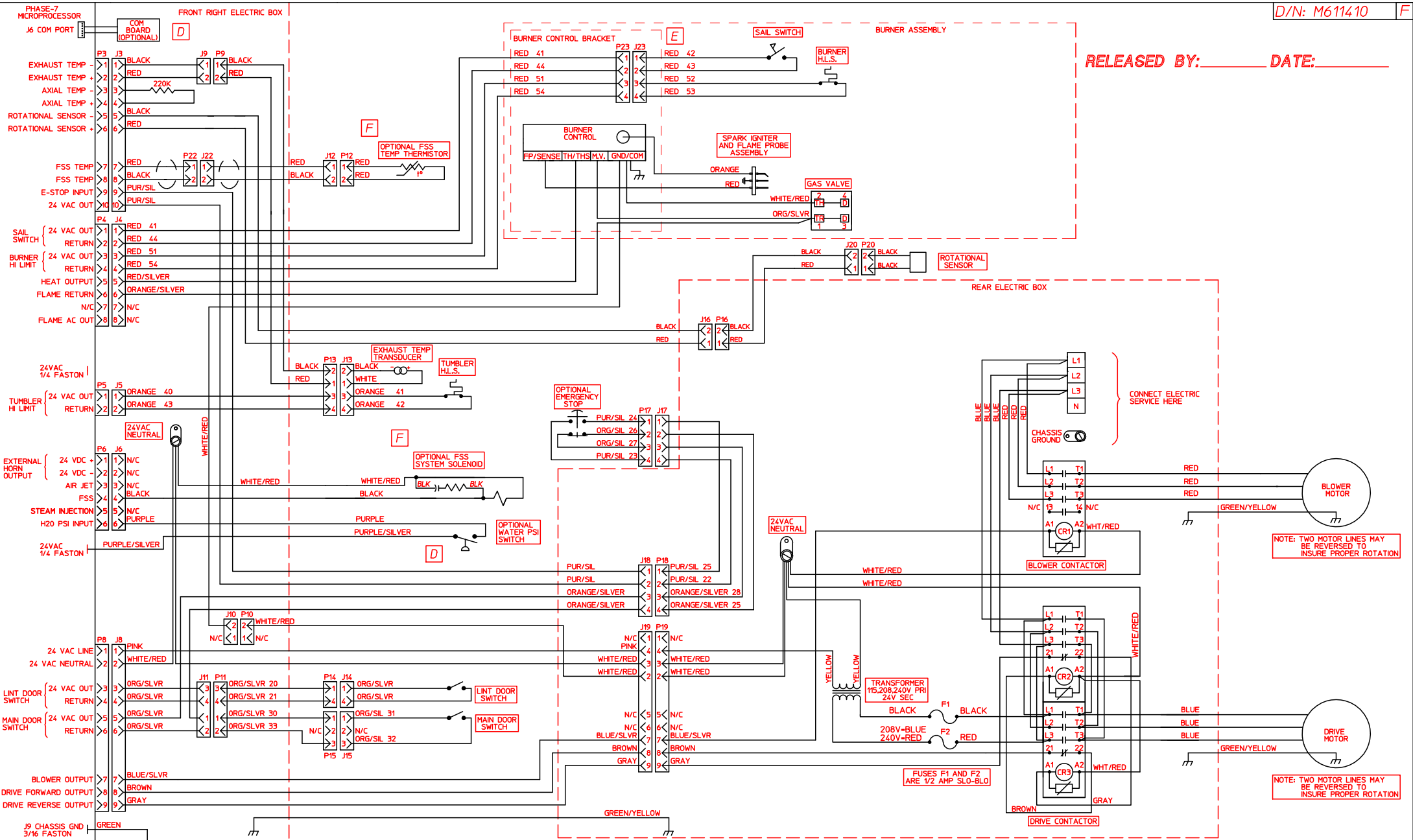


RELEASED BY: _____ DATE: _____



F	ADDED *OPTIONAL* TO FSS RELATED COMPONENTS	M.A.S.	1/19/07	MAS	
E	CORRECTED BURNER SENSOR CONNECTIONS	M.A.S.	3/24/05	JH	
D	ADDED WATER PRESSURE SWITCH AND ECHO BOARD	K.P.	11/11/03	SG	
REV.	DESCRIPTION	CHG. BY	DATE	APP. BY	DATE
INITIAL RELEASE	DR.BY:SG.	DATE: 10/16/02	APP.BY:SG	DATE:	



MODEL: AD-120 PHASE 7
HEAT TYPE: GAS (DSI)
ELEC SERV: 208-240V 3Ø 50/60HZ 3.4 WIRE
MOTOR TYPE: 3Ø REVERSING
ELECTRICAL DIAGRAM D/N: M611410 F