

MAYTAG



MLG33 Parts Manual **Phase 8**

For Internal Use Only

**RETAIN THESE INSTRUCTIONS IN A SAFE PLACE
FOR FUTURE REFERENCE**

Maytag
403 West Fourth Street North
Newton, Iowa 50208
(641) 787-7000

Part No. 450267

Retain This Manual In A Safe Place For Future Reference

This product embodies advanced concepts in engineering, design, and safety. If this product is properly maintained, it will provide many years of safe, efficient, and trouble free operation.

ONLY properly licensed technicians should service this equipment.

OBSERVE ALL SAFETY PRECAUTIONS displayed on the equipment or specified in the installation manual included with the dryer.

FOR YOUR SAFETY

Do not store or use gasoline or other flammable vapors and liquids in the vicinity of this or any other appliance.

POUR VOTRE SÉCURITÉ

Ne pas entreposer ni utiliser d'essence ni d'autres vapeurs ou liquides inflammables à proximité de cet appareil ou de tout autre appareil.

We have tried to make this manual as complete as possible and hope you will find it useful. The manufacturer reserves the right to make changes from time to time, without notice or obligation, in prices, specifications, colors, and material, and to change or discontinue models.

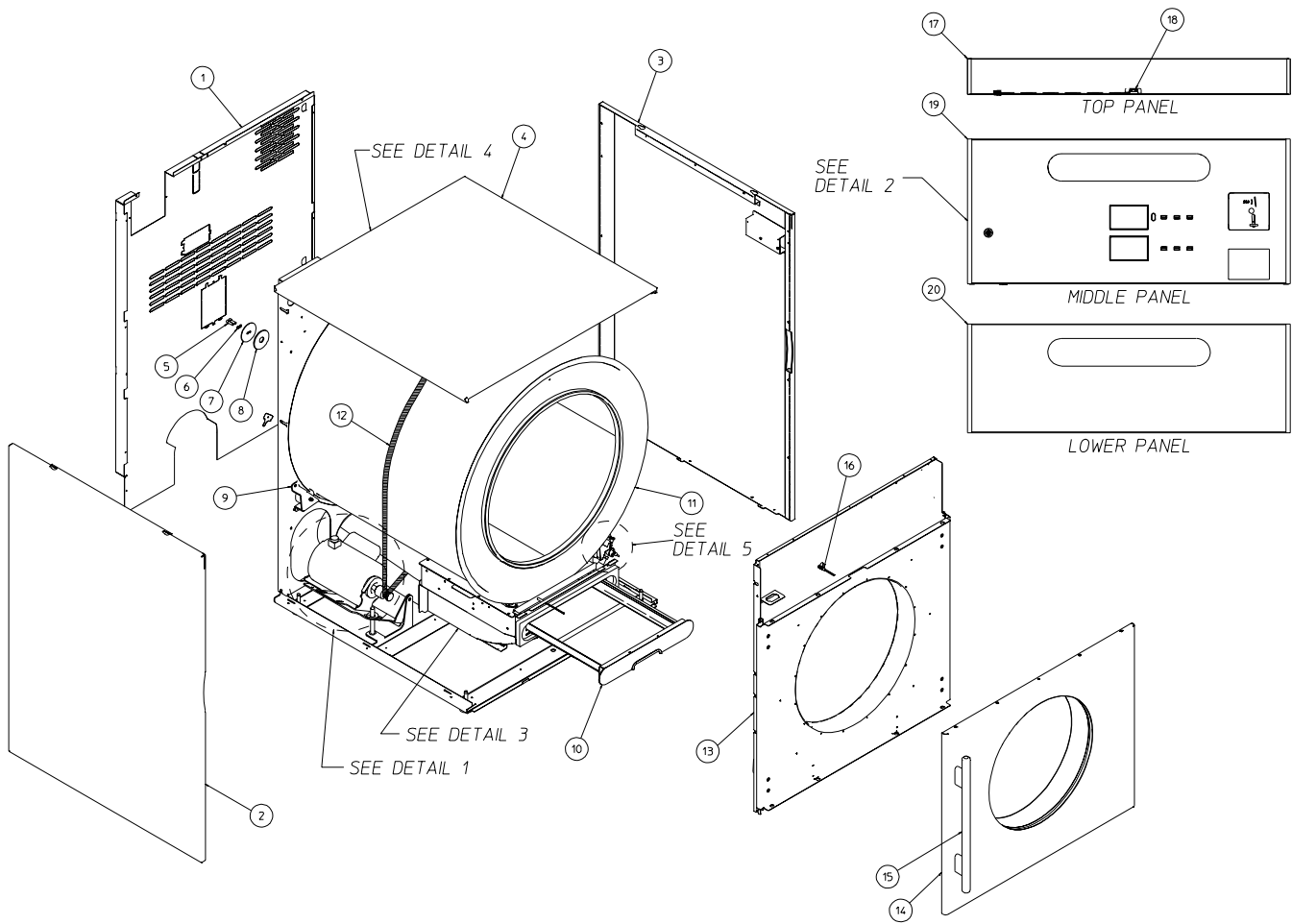
Important

For your convenience, log the following information:

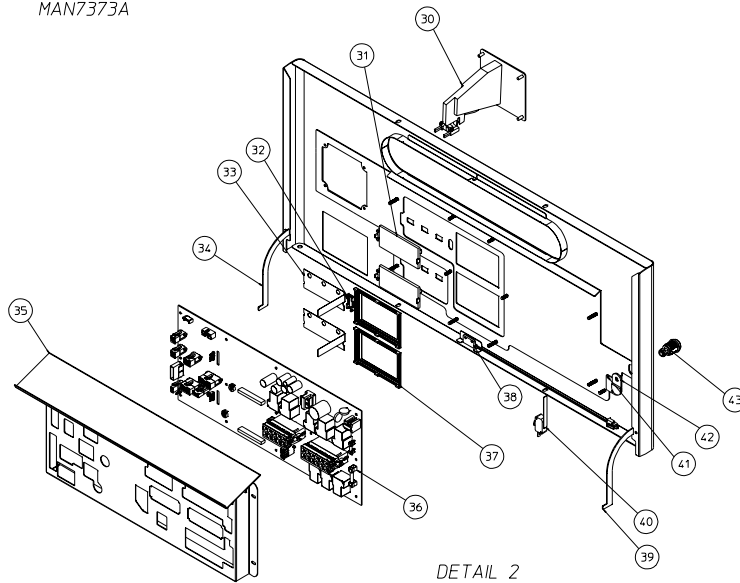
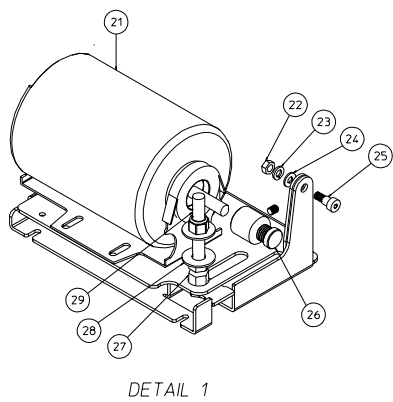
DATE OF PURCHASE _____ MODEL NO. **MLG33**

DISTRIBUTOR'S NAME _____

Serial Number(s) _____

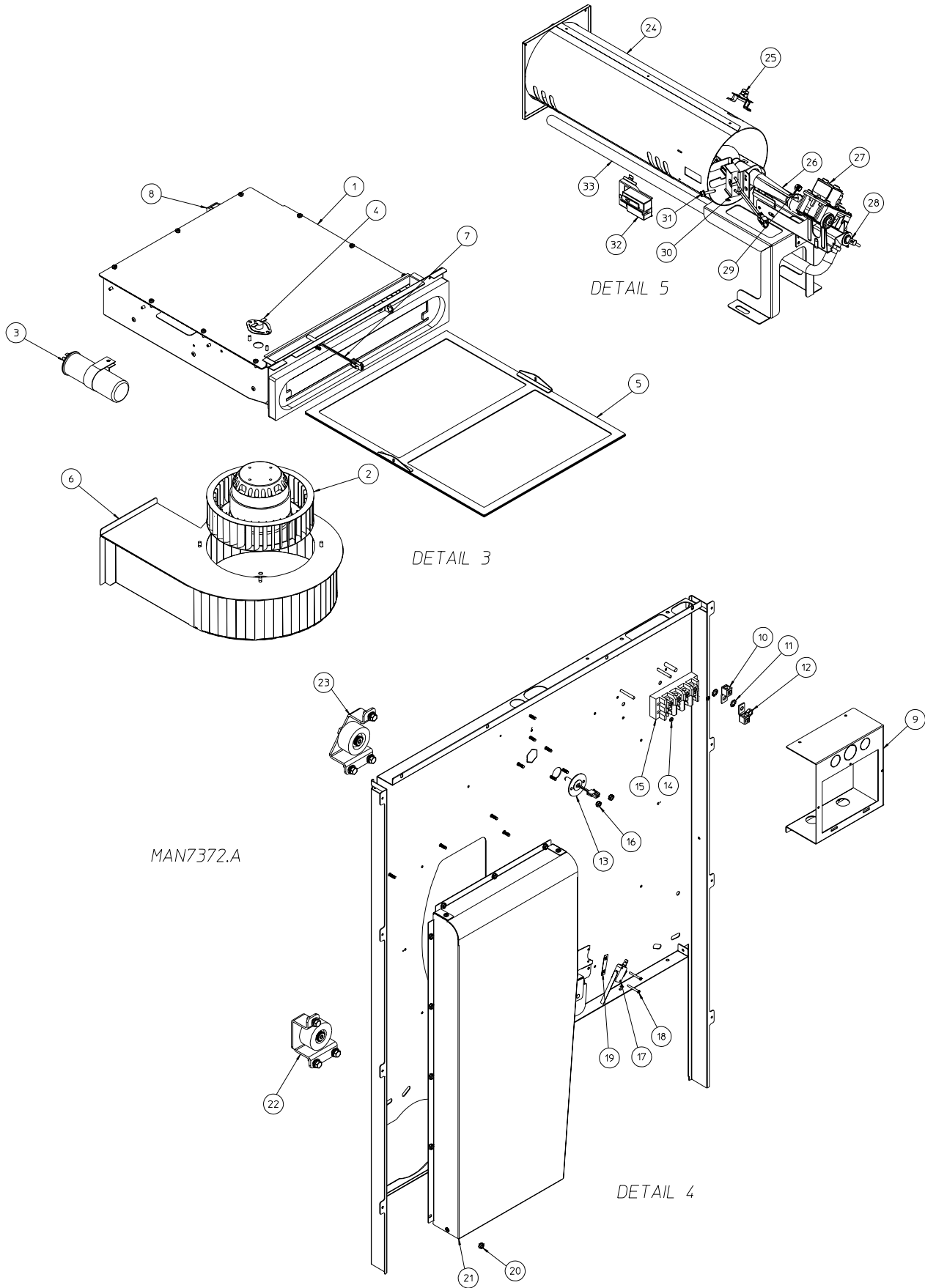


MAN7373A



Parts List

<u>Illus. No.</u>	<u>Part No.</u>	<u>Qty.</u>	<u>Description</u>
1	818925	1	Back Guard Assembly (as of December 7, 2005)
	818683	1	Back Guard Assembly (prior to December 7, 2005)
2	819619	1	Left Side Panel Assembly (as of December 7, 2005)
	818679	1	Left Side Panel Assembly (prior to December 7, 2005)
3	819621	1	Right Side Panel Assembly (as of December 7, 2005)
	818678	1	Right Side Panel Assembly (prior to December 7, 2005)
4	818690	1	Outer Top Panel Assembly
5	150445	2	1/4-20 x 3/4" Bolt
6	153072	2	Spring Washer
7	318891	1	Backup Washer
8	153048	1	Inner Friction Pad
9	818110	1	Front Right / Rear Left Wheel
	818109	1	Front Left / Rear Right Wheel
10	819288	1	Lint Screen Assembly (Painted)
	819315	1	Lint Screen Assembly (Stainless Steel)
11	818815	1	Tumbler Assembly (Galvanized)
	819398	1	Tumbler Assembly (Stainless Steel)
12	102407	1	Belt
13	819132	1	Front Panel Assembly Right Hinge
	102004	2	Magnet
	102005	2	Magnet Blank
	152224	4	Magnet Screw
	400563	1	Magnet Removal Bit
	819302	1	Door Assembly Right Hinge (White)
14	819303	1	Door Assembly Right Hinge (Stainless Steel)
	102396	1	Door Gasket
	103067	2	Door Hinge
	185183	1	Handle
15	185182	2	Handle Standoff
	819573	1	Rotation Sensor Assembly (as of January 26, 2006)
16	819194	1	Rotation Sensor Assembly (prior to January 26, 2006)
	819190	1	Top Trim Panel Assembly (White)
17	819192	1	Top Trim Panel Assembly (Stainless Steel)
	819196	1	Door Switch Assembly
19	819310	1	Phase 8 Control Door Assembly (25¢ Coin)
	819608	1	Phase 8 Control Door Assembly (Non-Coin)
	154061	8	U-Nut Retainer
	183129	8	T-20 Truss Head Machine Screw
20	185097	1	Toe Panel (White)
	185048	1	Toe Panel (Stainless Steel)
21	884288	1	1/4 hp Motor with Sheave (as of September 1, 2005)
	818485	1	Motor Assembly (prior to September 1, 2005)
22	152004	2	5/16-18 Hex Nut
23	153002	2	5/16" Split Lock Washer
24	153018	2	1/4" Flat Washer
25	154266	2	3/8" x 3/8" (5/16-18) Screw
26	318909	1	60 Hz Motor Sheave
27	152011	1	1/2-13 Hex Nut
	152028	1	1/2-13 Nylon Insert Locknut
28	153011	1	9/16" ID, 1-3/8" OD Flat Washer
29	150609	1	1/2-13 x 4-1/2" Tap Bolt
30	818213	1	Coin Acceptor Assembly
31	112551	2	Three Button Assembly
32	135008	1	Tinted Infrared Cover
33	112588	2	Membrane Switch (Coin)
	112586	2	Membrane Switch (Non-Coin)
34	318930	1	Control Panel Right Hinge
35	319333	1	Phase 8 Control Cover (Coin)
	319337	1	Phase 8 Control Cover (Non-Coin)
36	137265	1	Phase 8 Computer (Coin)
	137280	1	Phase 8 Computer (Non-Coin)
37	112549	2	L.C.D. Display Cover
38	819196	1	Door Switch Assembly
39	318929	1	Control Panel Left Hinge
40	122200	1	Program Switch
41	154004	1	Twin Speed Nut
42	160066	1	1-1/8" Long Cam
43	160069	1	Lock

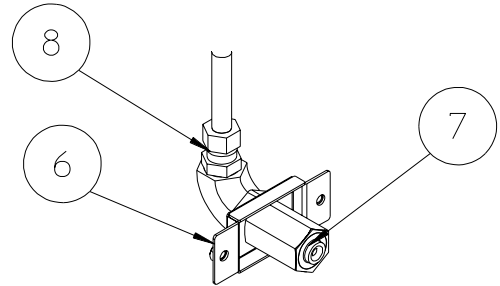
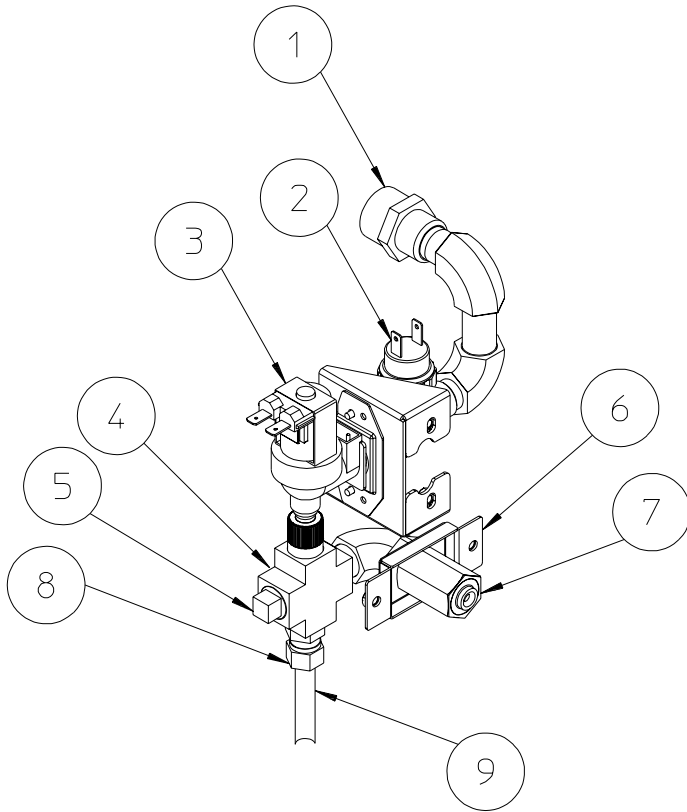


MAN7372.A

Parts List

<u>Illus. No.</u>	<u>Part No.</u>	<u>Qty.</u>	<u>Description</u>
1	819193	1	Lint Box / Blower Assembly Complete
2	819185	1	Blower Motor Assembly 120V
3	100639	1	32 MFD Capacitor
4	130119	1	L190 Automatic Thermostat
5	819526	1	Inner Lint Screen
	319409	2	Inner Lint Screen Clamp
6	818545	1	Blower Housing
7	818986	1	Exhaust Temperature Sensor Assembly
8	122003	1	Lint Door Switch
9	318993	1	Rear Electrical Box
	318727	1	Rear Electrical Box Cover
10	153021	1	1/4" Shakeproof Washer
11	121010	1	Terminal Lug
12	152002	1	1/4-20 Hex Nut
13	819188	1	Axial Temperature Sensor Horn Assembly
14	152015	1	#8-32 Hex Nut
15	120728	1	Quick-Connect Terminal Block
16	153073	2	#8-32 KEPS Nut
17	122200	2	Sail Switch
18	150025	2	#4-40 x 1" Phillips Screw
19	154004	1	Twin Speed Nut
20	153073	14	#8-32 KEPS Nut
21	819113	1	Heat Duct with Sail Switch Assembly
22	818109	1	Front Left / Rear Right Wheel
23	818110	1	Front Right / Rear Left Wheel
24	819314	1	Burner Assembly
	819313	1	Burner Chamber
25	183112	1	Thermostat, Gas High-Limit
26	183144	1	Inshot Burner Tube, Hot Surface Ignition
27	128944	1	Gas Valve 120 VAC 60 Hz
	884254	1	Liquid Propane Conversion Kit
28	141318	1	3/8" 90° Union Shutoff
29	140880	1	Natural Gas #22 Burner Orifice
	140905	1	Liquid Propane Gas #44 Burner Orifice
30	128910	1	Globar®
31	183145	1	#8-32 x 7/8" Hex Screw with Washer
32	130500	1	Radiant Control
33	185096	1	3/8" N.P.T. Male 90° Gas Pipe

S.A.F.E. System Assembly Parts Diagram / List



MAN7425

<u>Illus. No.</u>	<u>Part No.</u>	<u>Qty.</u>	<u>Description</u>
1	143025	1	Nylon Hose Adaptor
2	136987	1	Pressure Switch
3	165120	1	Water Valve
4	143236	1	3/8" Brass Cross
5	143251	1	3/8" Plug
6	318422	1	S.A.F.E. Bracket
7	143581	1	Spray Nozzle
8	143208	1	3/8" Brass Connector
9	143099	1	3/8" OD Copper Tubing

