

WASHER

Repair Parts List

MODEL NUMBER
MAT12PDLGW

When requesting service or ordering parts, always provide the following information:

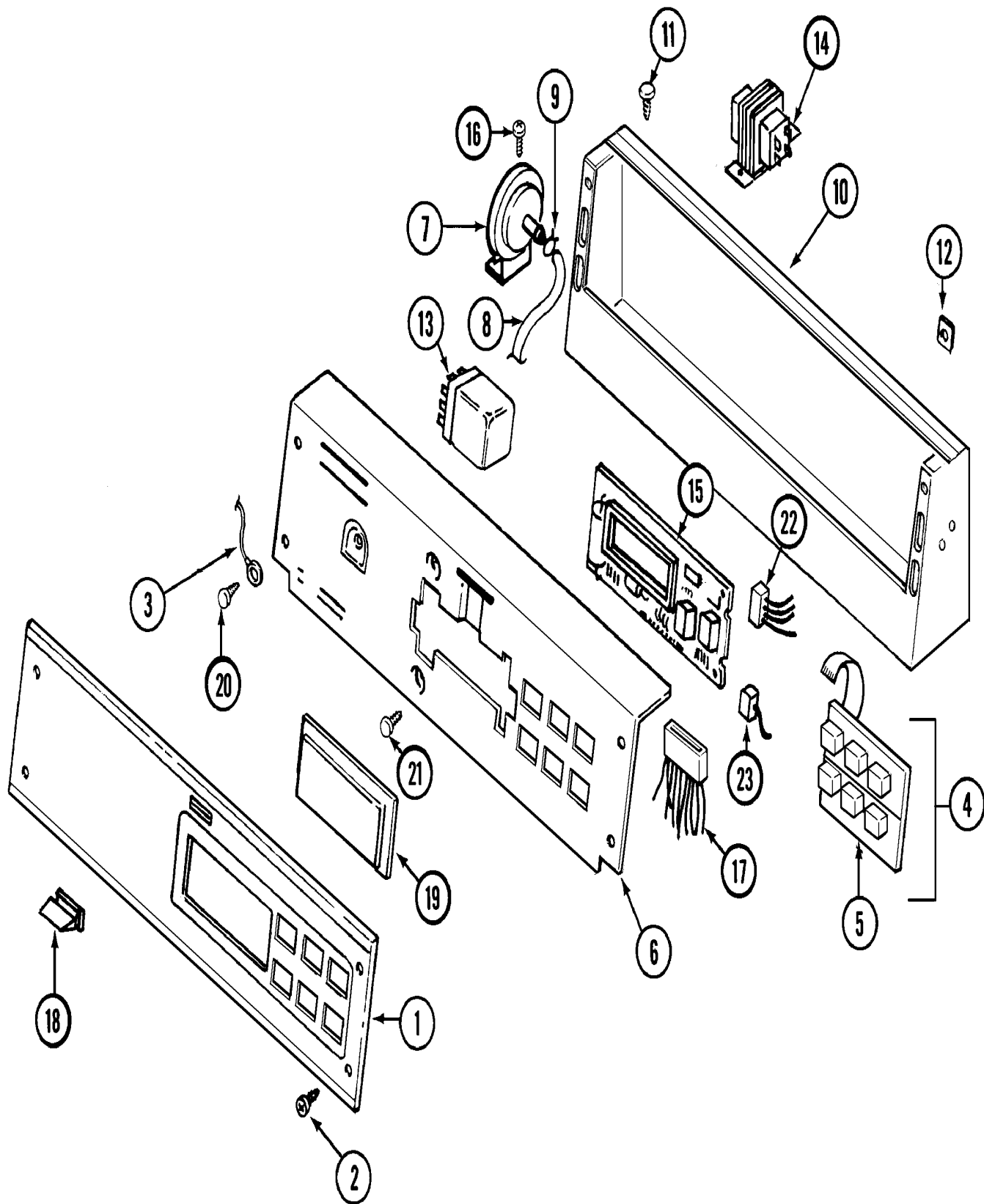
- Product Type
- Part Number
- Model Number
- Part Description

MAYTAG®

©2005 Maytag Services

Section: CONTROL PANEL

Model: MAT12PDLGW



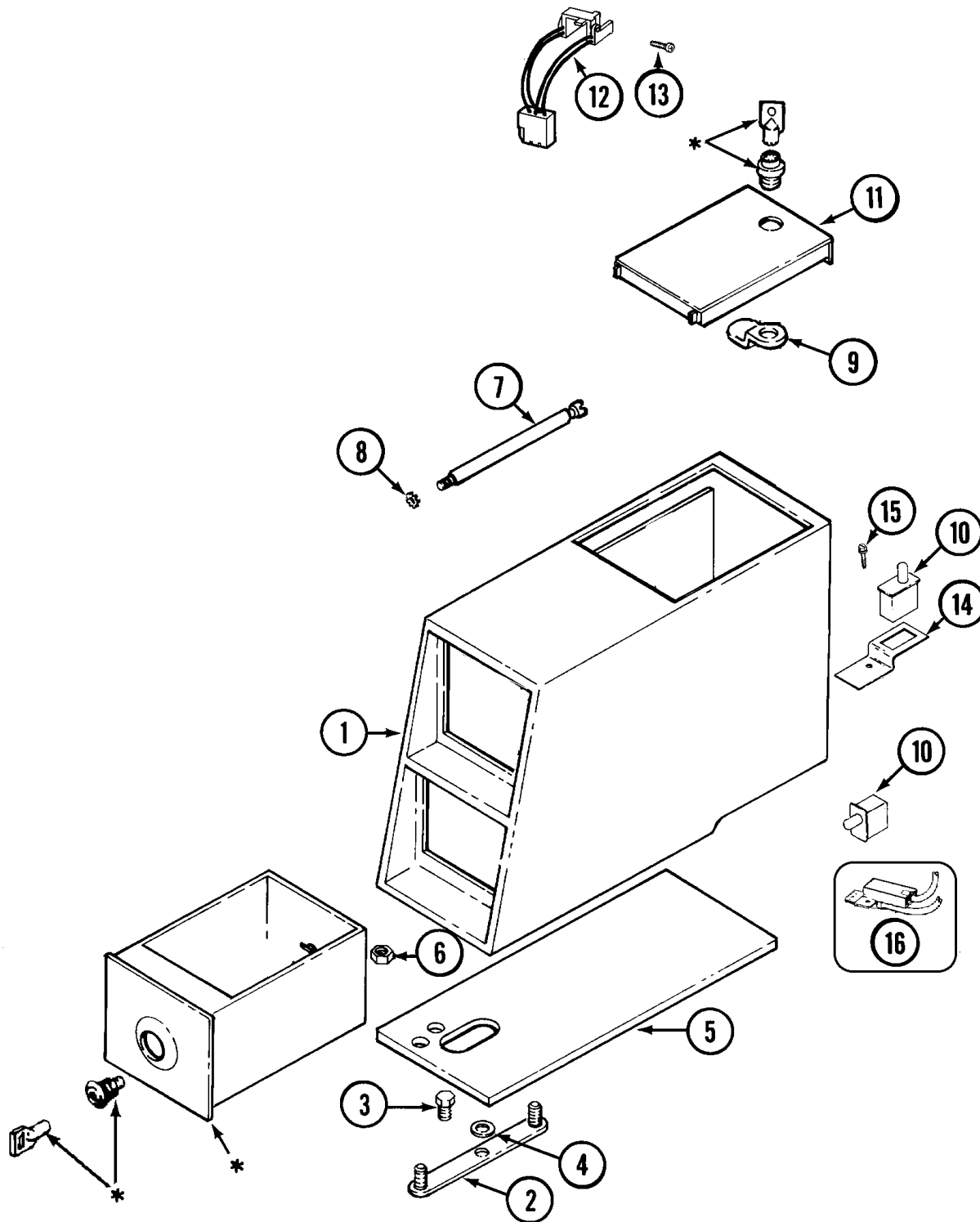
Section: CONTROL PANEL

No.	Part No.	Description	Series	Qty
1	Y2207490	FACIA, PD/PS	10	1
2	215506	SCREW, TORX	10	4
3	22001654	WIRE, GROUND	10	1
4	206808	CONTROL SWITCH ASSY.	10	1
-	215526	SCREW	10	2
5	33002863	BUTTON, PUSH	10	2
6	22003099	BRACKET, BACK (WHT)	10	1
7	2202532	SWITCH, PRESSURE - COMMER	10	1
8	Y2205484	TUBE, AIR ASY	10	1
9	22003295	CLAMP, HOSE DOUBLE WIRE	10	1
10	2202540	COVER, CONTROL ASSEMBLY (WHT)	10	1
11	212276	SCREW	10	2
12	215003	FASTENER	10	2
13	206421	RELAY-MOTOR REVERSING	10	2
-	22001419	NUT (ELASTIC)	10	2
14	22001417	TRANSFORMER, STEP DOWN	10	1
-	211251	SCREW	10	2
14	22002139	TRANSFORMER (STEP-DOWN COMM)	10	1
15 N	2206993	BOARD,CONTROL	10	1
-	33001204	STANDOFF, CIRCUIT BOARD	10	4
-	912077	LOCKNUT	10	4
-	22002954	DEFLECTOR, WATER (W/ADHESIVE)	10	2
16	211294	SCREW	10	2
17	2207699	WIRE HARNESS, PD EXPORT	10	1
18	214610	BUMPER, LID	10	1
19	22001962	COVER, DISPLAY	10	1
20	210186	SCREW, GROUND WIRE TO BASE--NA	10	1
21	215527	SCREW	10	2
22	22001965	SWITCH ASSY., OPTIC	10	1
-	314665	SCREW	10	2
23	22001966	HARNESS, SENSOR SWITCH	10	1

*Color Code (-)=Not Shown #=Series, Serial Prefix or Run No., N=Not Available

Section: CONTROL CENTER

Model: MAT12PDLGW



* CONTACT YOUR COMMERCIAL LAUNDRY DISTRIBUTOR

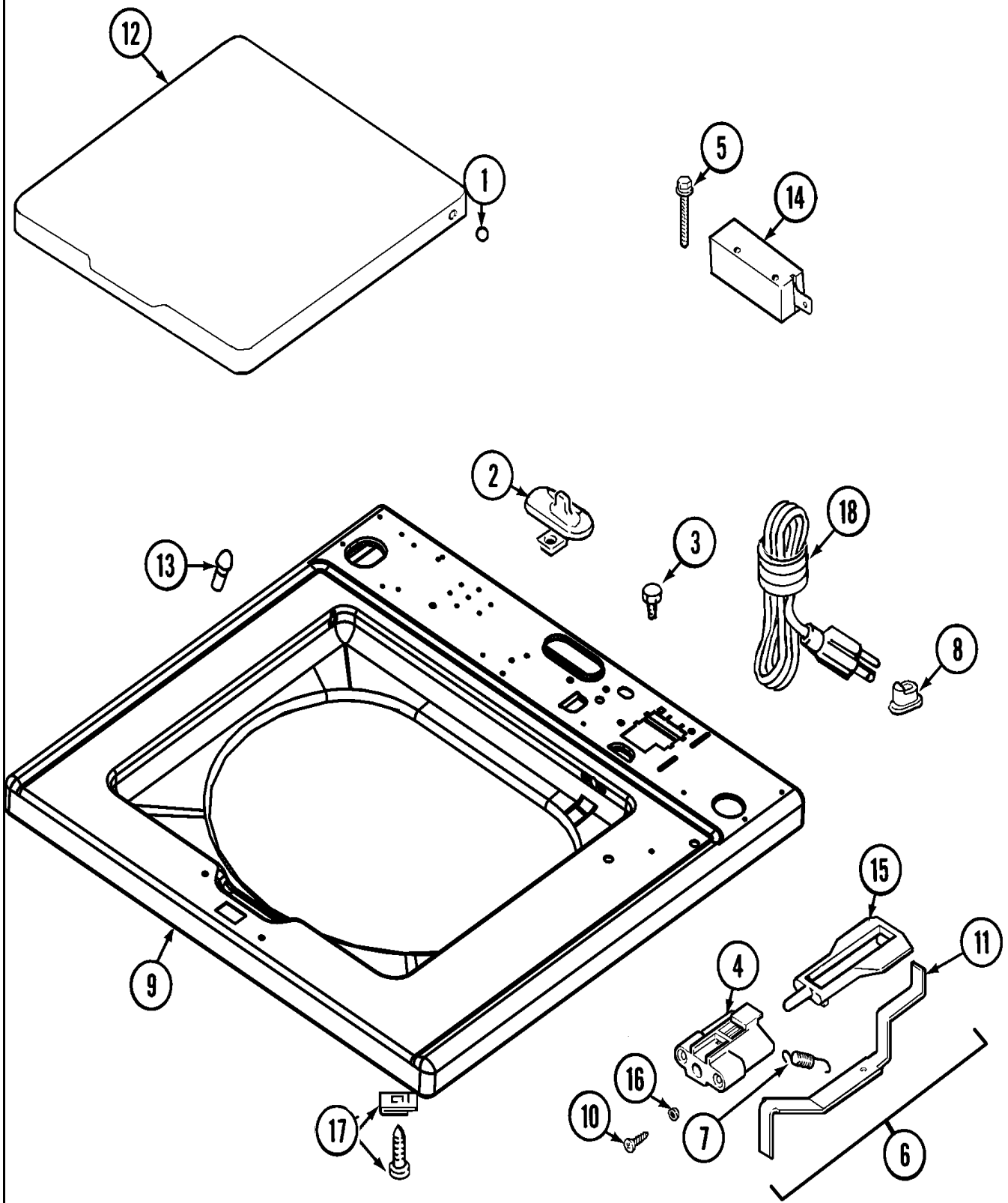
Section: CONTROL CENTER

No.	Part No.	Description	Series	Qty
1	22002480	VAULT, COIN (WHT)PD	10	1
2	22001810	STRAP, MOUNTING	10	1
3	211294	SCREW	10	1
4	910309	WASHER	10	1
5	22001870	GASKET, COIN VAULT (WHT)	10	1
6	Y052740	NUT	10	2
7	213035	BOLT, LOCKING	10	2
8	910181	LOCK WASHER	10	2
9	22003677	LOCKING CAM	10	1
-	912012	SCREW	10	2
10	22002536	SWITCH, SENSOR	10	2
11	22003679	TIMER ACCESS DOOR ASSY (WHITE)	10	1
12	22001965	SWITCH ASSY., OPTIC	10	1
13	314665	SCREW	10	1
14	22001404	BRACKET, SWITCH	10	1
15	212276	SCREW	10	1
16	22001966	HARNESS, SENSOR SWITCH	10	1

*Color Code (-)=Not Shown #=Series, Serial Prefix or Run No., N=Not Available

Section: TOP

Model: MAT12PDLGW



CW13-22

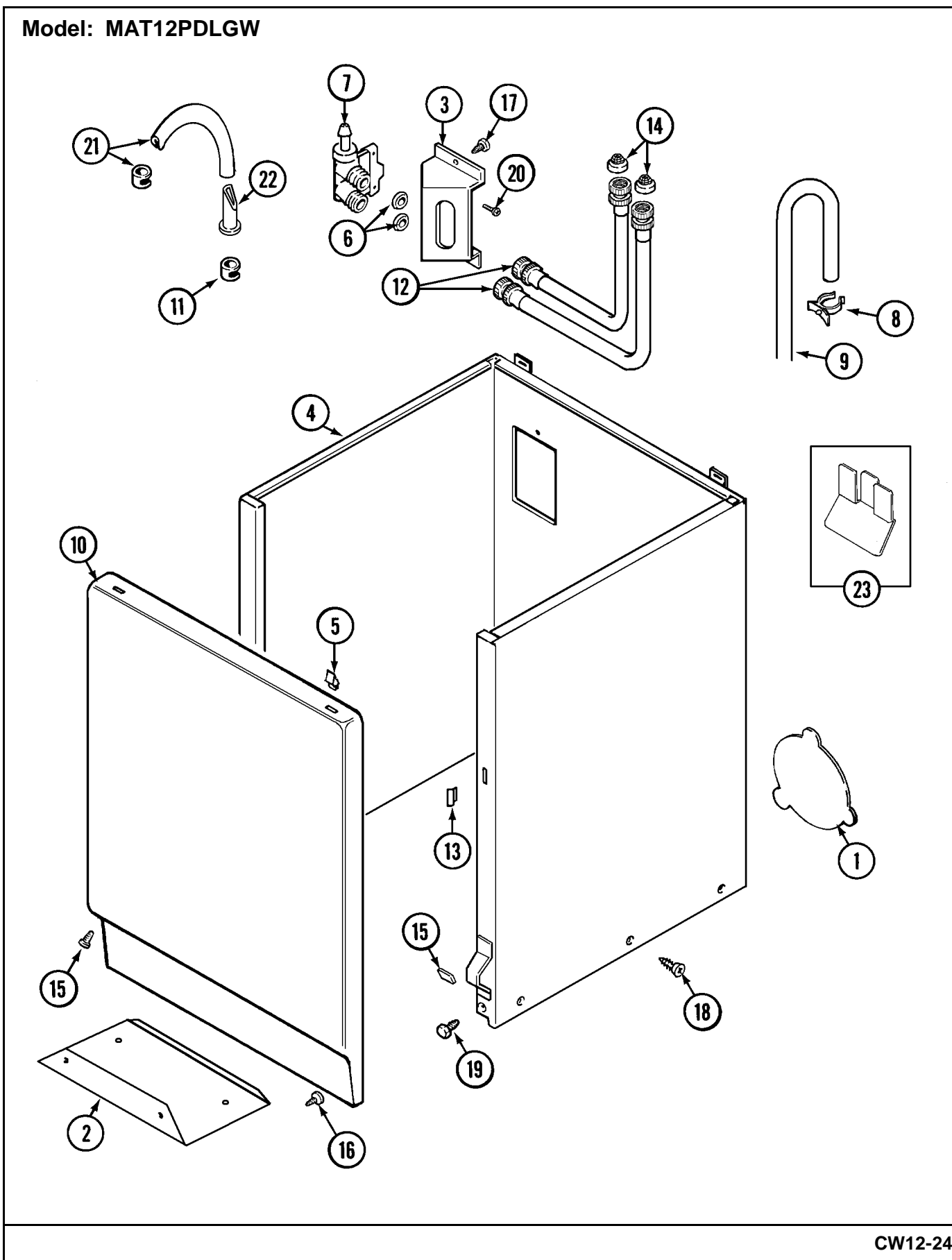
Section: TOP

No.	Part No.	Description	Series	Qty
1	211726	HINGE, BALL	10	2
2	22001298	CAP, TOP COVER	10	1
-	207159	SCREW	10	1
3	210186	SCREW, GROUND WIRE TO BASE--NA	10	1
4	22002135	BRACKET, UNBALANCE	10	1
5	22003817	SCREW, SERRATED WASHER HEAD HX	10	2
6	22001681	LEVER ASSY. (UNBALANCE)	10	1
7	213720	SPRING	10	1
8	216183	GROMMET, CORD EXPORT	10	1
9	22001970	COVER ASSY., TOP (WHT)	10	1
10	910182	SCREW Note: SCREW, PLUNGER BRACKET	10	2
11	22001672	LEVER, UNBALANCE	10	1
12	22001341	LID W/LEGEND (WHT)	10	1
13	212716	BUMPER, LID	10	2
14	22001362	SWITCH, LID	10	1
15	216255	PLUNGER, UNBALANCE	10	1
16	211500	WASHER,BRACKE TO TOP COVER	10	2
17	204445	SCREW & FASTENER ASY.	10	2
18	22004357	CORD, POWER AS WRAPPED	10	1

*Color Code (-)=Not Shown #=Series, Serial Prefix or Run No., N=Not Available

Section: CABINET

Model: MAT12PDLGW



CW12-24

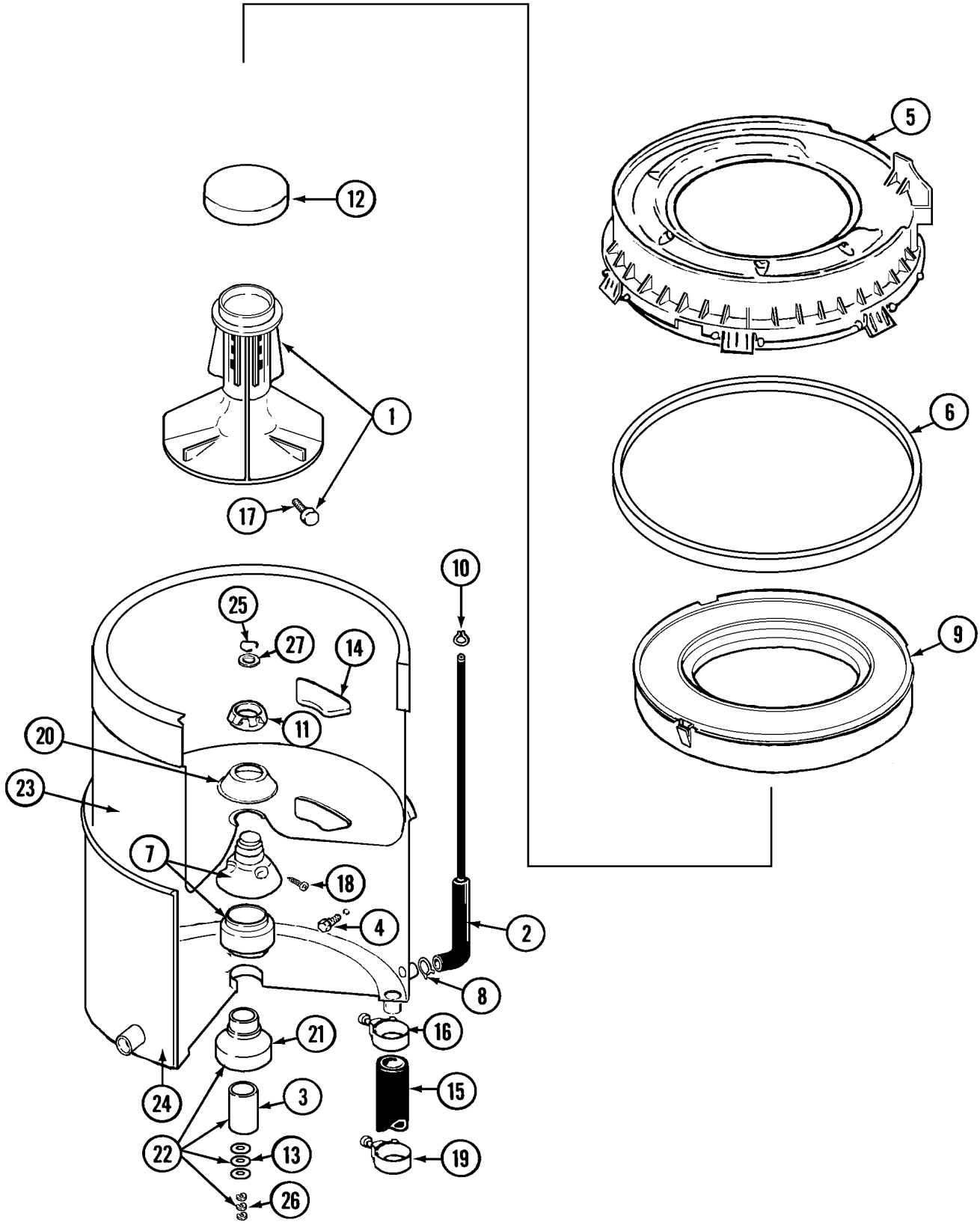
Section: CABINET

No.	Part No.	Description	Series	Qty
-	211294	SCREW	10	3
1	22002924	PLATE, COVER (W/HOLE)	10	1
2	22001624	GUARD, BELT	10	1
3	22002361	BRACKET, VALVE	10	1
-	22003217	SCREW, BRACKET TO CABINET	10	1
4 N	22004425	CABINET WHT ASPACK	10	1
5	22001650	FASTENER, SPRING	10	2
6	Y013783	GASKET, INLET HOSE	10	4
-	205161	CLAMP - 15/16"	10	1
7	22001604	VALVE, WATER 120V 60HZ	10	1
8	22002765	CLIP, HOSE	10	2
-	22003814	RETAINER, DRAIN HOSE	10	1
9	22002700	HOSE, DRAIN	10	1
10	22001803	PANEL, FRONT (WHT)	10	1
11	205161	CLAMP - 15/16"	10	1
12	35-3400	HOSE, INLET (COLD)	10	1
12	35-3401	HOSE, INLET (HOT)	10	1
13	22002331	SPACER	10	2
14	22002960	STRAINER, WASHER INLET	10	2
15	22001496	SCREW, TORX	10	2
16	211294	SCREW	10	3
17	212276	SCREW	10	1
18	213007	SCREW, CABINET	10	6
19	27001200	SCREW (12-14X1/2 TYPE B	10	3
20	313561	SCREW----NA	10	2
21	22001954	INJECTOR HOSE AND CLAMP KIT	10	1
22	22001900	PREVENTER, BACK FLOW	10	1
23	W10124350	NOT REQUIRED PART OR SEE NOTE	10	1

*Color Code (-)=Not Shown #=Series, Serial Prefix or Run No., N=Not Available

Section: TUB

Model: MAT12PDLGW



CW17-5

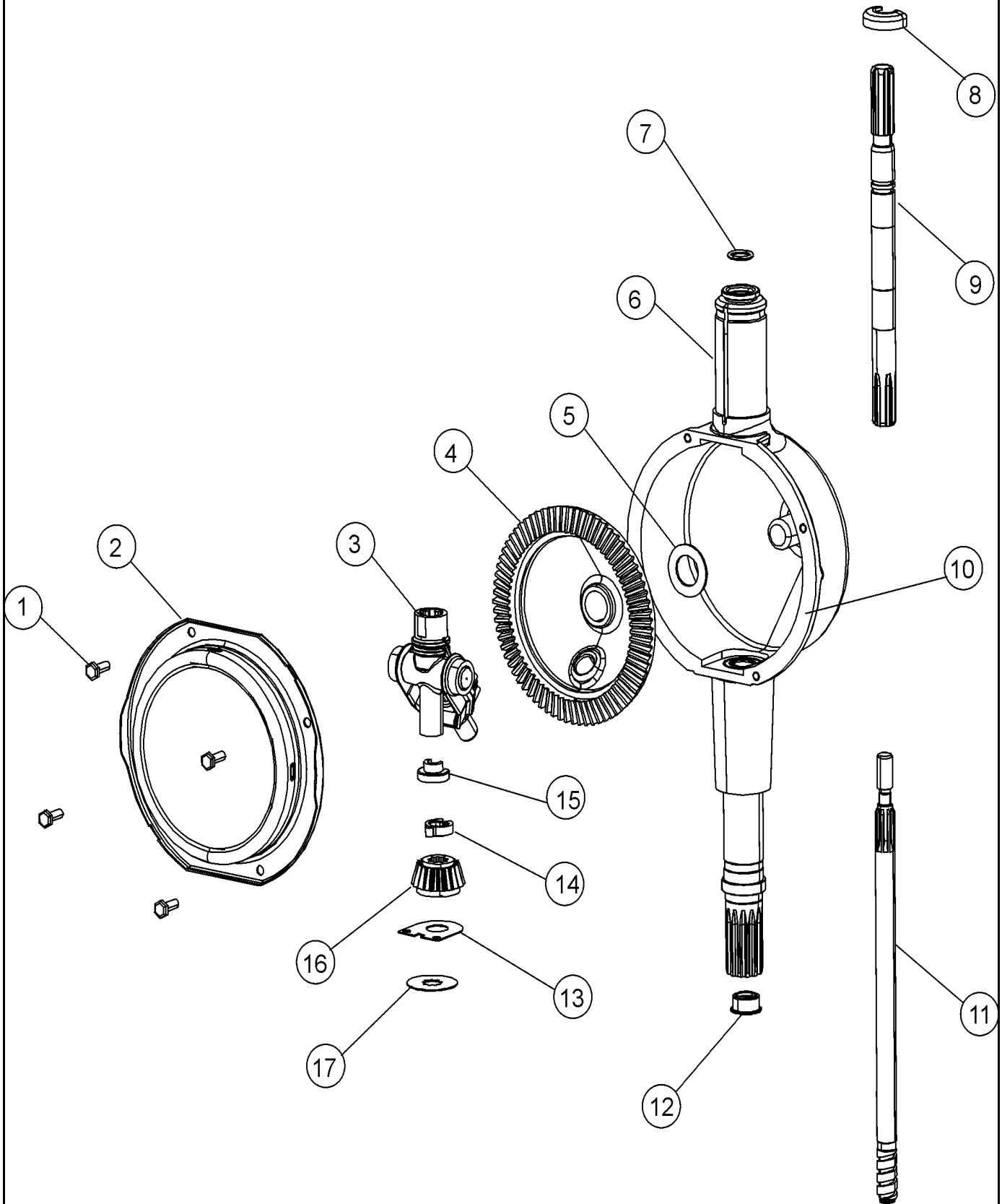
Section: TUB

No.	Part No.	Description	Series	Qty
1	208543	AGITATOR (W/LOCK SCREW)	10	1
2	Y2205484	TUBE, AIR ASY	10	1
3	211130	LINER, TUB BEARING	10	1
4	200744	BOLT & GASKET ASSY.(SHORT)	10	1
4	205254	BOLT & GASKET ASSEMBLY (LONG)	10	2
5	22001606	COVER ASSY., TUB	10	1
6	Y22001201	GASKET, TUB COVER---S Note: GASKET, TUB COVER	10	1
7	22001648	MOUNTING STEM AND SEAL KIT	10	1
8	22001639	CLAMP	10	1
9	22001142	RING, BALANCE (W/CONCRETE) Note: RING, BALANCE (W/CONCRETE)	10	1
10	22003295	CLAMP, HOSE DOUBLE WIRE	10	1
11	211047	NUT, CLAMPING (INNER TUB)	10	1
12	215532	AGITATOR CAP - BLACK	10	1
13	211100	WASHER, CUSHION	10	3
14	215980	PLUG, FILTER HOLE	10	2
15	Y212989	HOSE, OUTER TUB TO PUMP	10	1
16	22001640	CLAMP, HOSE	10	1
17	206478	SCREW & WASHER FOR AGITATOR	10	1
18	22001423	SCREW, SET (TORX)	10	1
19	22001640	CLAMP, HOSE	10	1
20	211210	WASHER,CLAMPING NUT(STAINLESS)	10	1
21	200824	BEARING, TUB	10	1
22	204013	TUB BEARING REPAIR KIT	10	1
23	22001140	TUB, INNER (LARGE-WHT)	10	1
24	22003312	TUB, OUTER (AS PACKED)	10	1
25	Y015667	RETAINING RING	10	1
26	Y054867	WASHER, LOCK	10	3
27	015666	WASHER,RETAINING(CTR SEAL)---S	10	1

*Color Code (-)=Not Shown #=Series, Serial Prefix or Run No., N=Not Available

Section: TRANSMISSION

Model: MAT12PDLGW



CW18-3

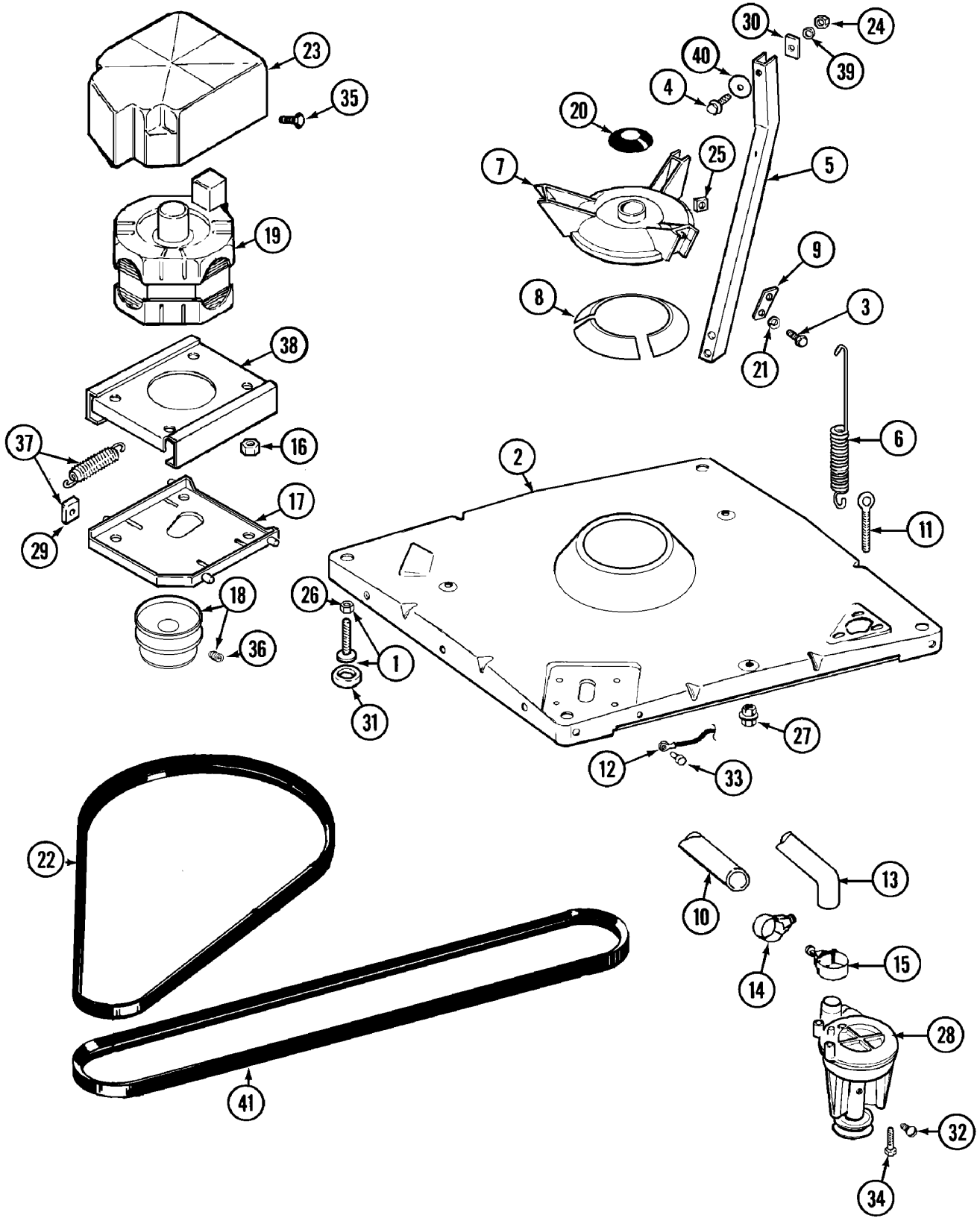
Section: TRANSMISSION

No.	Part No.	Description	Series	Qty
1	215417	SCREW, TRANSMISSION COVER	10	4
2	206628	COVER, TRANSMISSION	10	1
3	206685	BLOCK, TORQUE AND YOKE ASSEMBL	10	1
4	206713	GEAR, BEVEL	10	1
5	215394	WASHER, BEVEL GEAR	10	1
6	22002537	HOUSING, TRANSMISSION (SHW)	10	1
7	22002417	O-RING AGITATOR SHAFT	10	1
8	Y2206450	COLLAR, AGITATOR	10	1
9	Y2206452	SHAFT, AGITATOR	10	1
10	Y058700	SILASTIC,ADH.SEALANT	10	1
11	22002343	SHAFT, CENTER (SHALLOW TUB)	10	1
12	207843	LIP SEAL REPAIR KIT	10	1
13	215395	PLATE, CLUTCH	10	1
14	22002353	COLLAR, CENTER SHAFT	10	1
15	22002341	COLLAR, LOWER PLASTIC KEEPER	10	1
16	215401	PINION	10	1
17	211483	WASHER, SPLINED	10	1
-	Y2206449	TRAN,ORBITAL SHALLOW	10	1

*Color Code (-)=Not Shown #=Series, Serial Prefix or Run No., N=Not Available

Section: BASE

Model: MAT12PDLGW



CW19-29

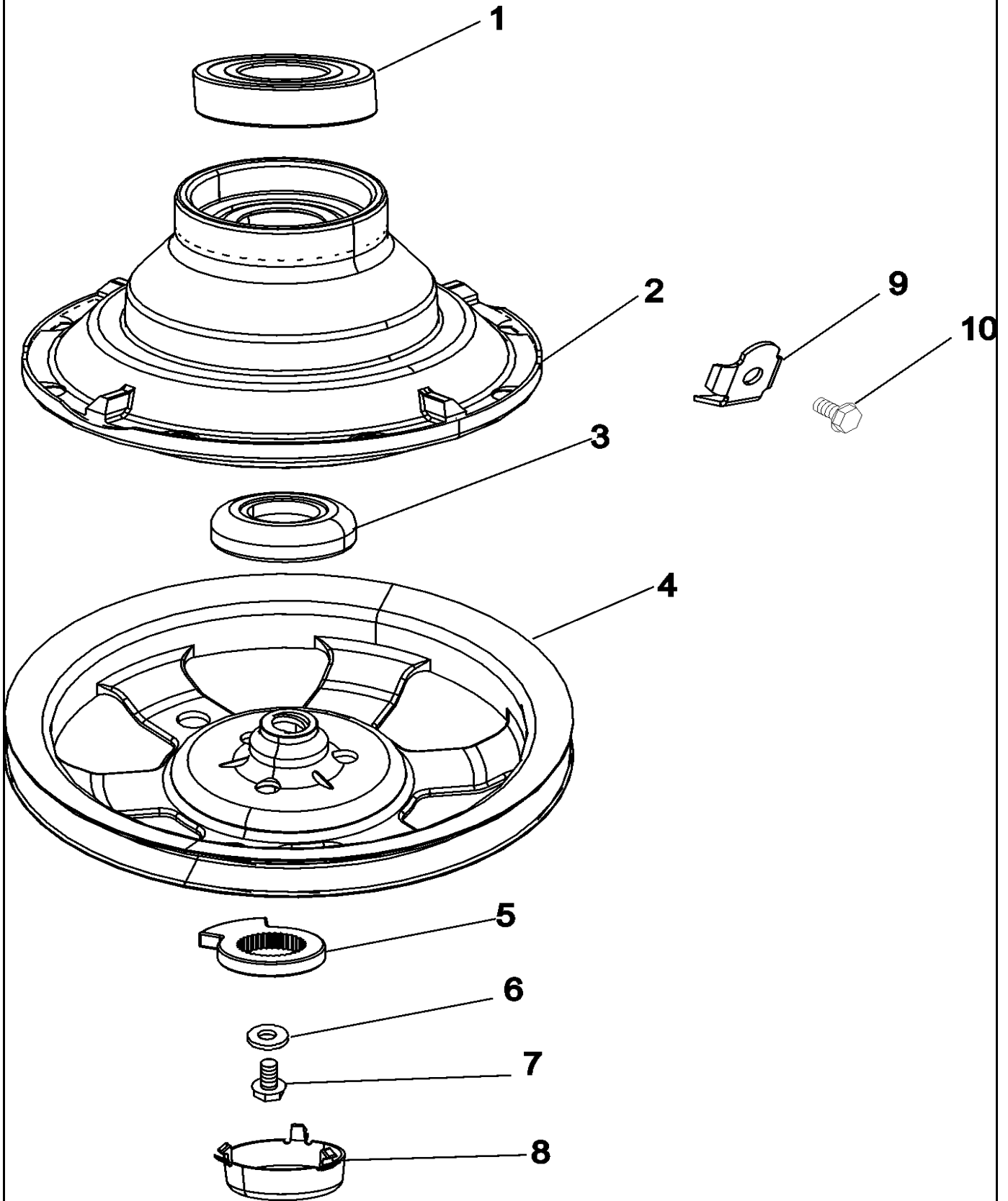
Section: BASE

No.	Part No.	Description	Series	Qty
1	22003428	LEG, ADJUSTABLE (W/NUT)	10	4
2	22002150	BASE (W/DAMPER PADS)	10	1
3	Y015627	SCREW, HEX HD CAP 5/16 X 5/8	10	6
4	200744	BOLT & GASKET ASSY.(SHORT)	10	1
4	205254	BOLT & GASKET ASSEMBLY (LONG)	10	2
5	213100	BRACE, TUB	10	3
6	22001300	SPRING, CENTERING	10	3
7	203725	DAMPER W/BOLT & CLIP	10	1
8	203956	DAMPER PAD KIT (W/POLY LUBE)	10	1
9	213073	WASHER, DOUBLE	10	3
10	22002700	HOSE, DRAIN	10	1
11	216416	BOLT, EYE/CENTERING SPRING	10	3
12	901220	WIRE, GROUND	10	1
13	Y212989	HOSE, OUTER TUB TO PUMP	10	1
14	22001820	CLAMP, HOSE	10	1
15	22001640	CLAMP, HOSE	10	1
16	311426	NUT, WASHERED LOCK	10	3
17	22001301	MOUNT, MOTOR LOWER-ASSEMBLY	10	1
18	Y202496	PULLEY, MOTOR (W/SET SCREW)	10	1
19	22004302	MOTOR, 1 SPEED 230V 50/60HZ	10	1
20	22001511	DEFLECTOR, WATER (W/ADHESIVE)	10	2
21	911852	WASHER, LOCK (BRACE)	10	1
22	211948	DRIVE BELT 120-50 240-50	10	1
23	215098	SHIELD, MOTOR	10	1
24	Y052734	NUT	10	3
25	Y052785	NUT,BRACE TO DAMPER	10	6
26	210385	NUT, LOCK	10	4
27	211949	NUT, EYEBOLT	10	3
28	202203	PUMP AS PAK	10	1
29	204998	GLIDE KIT (4 W/POLY LUBE)	10	1
30	212979	WASHER, TUB BRACE	10	3
31	210684	FOOT, RUBBER	10	4
32	Y015408	SCREW, BEARING INSERT	10	1
33	210186	SCREW, GROUND WIRE TO BASE--NA	10	1
34	211880	SCREW, HEX HD #10 X 1/2 INC	10	3
35	213121	SCREW	10	1
36	Y053241	SET SCREW, PULLEY	10	1
37	205000	GLIDE & SPRING KIT	10	1
38	214956	MOUNT, MOTOR/UPPER	10	1
39	Y054867	WASHER, LOCK	10	3
40	211100	WASHER, CUSHION	10	3
41	211451	PUMP BELT 120-50 240-50	10	1

*Color Code (-)=Not Shown #=Series, Serial Prefix or Run No., N=Not Available

Section: CLUTCH & BRAKE

Model: MAT12PDLGW



CW20-11

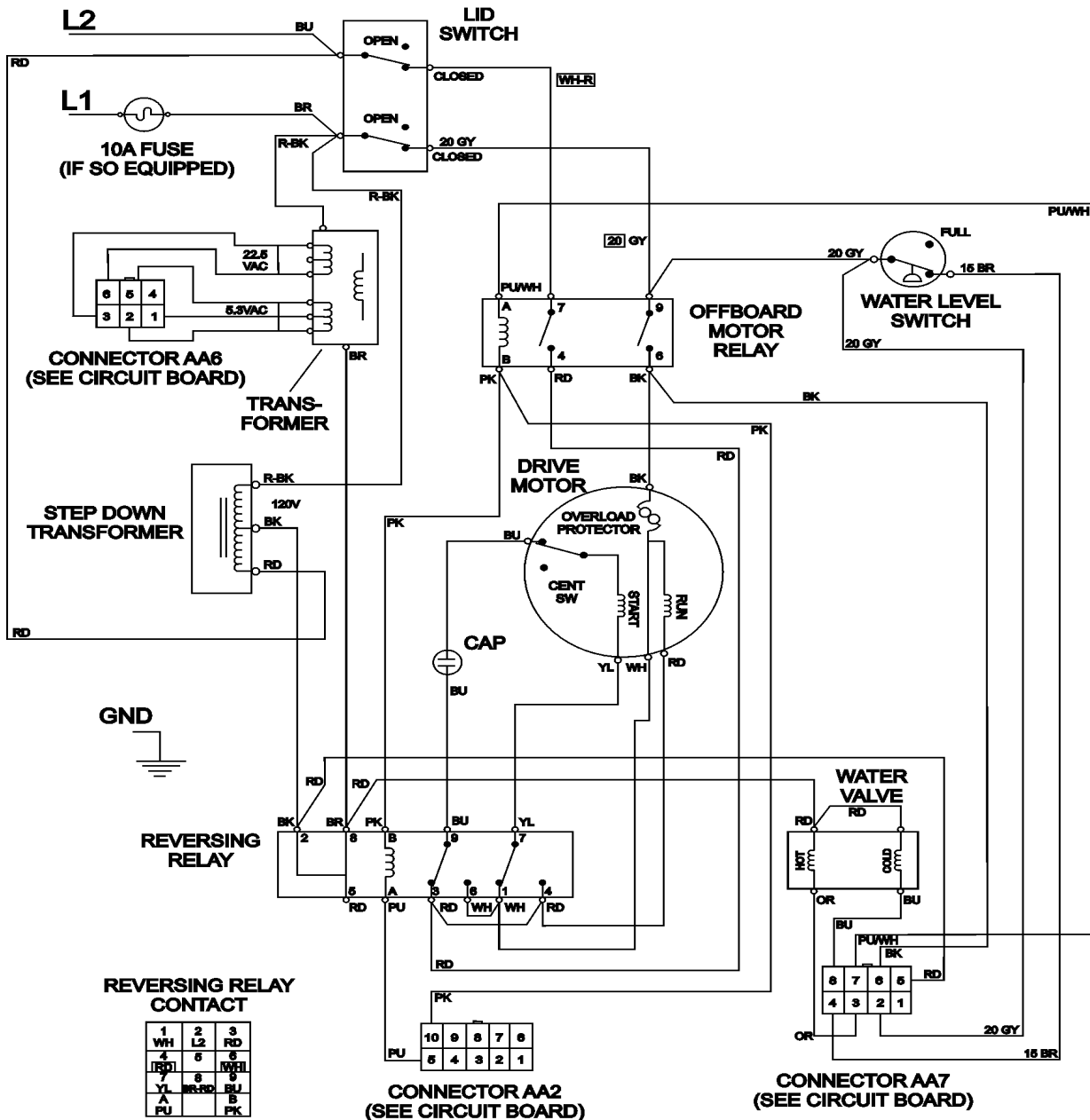
Section: CLUTCH & BRAKE

No.	Part No.	Description	Series	Qty
1	200720	BALL BEARING, RADIAL----S	10	1
2	201190	BRAKE ASSEMBLY	10	1
3	200835	BEARING, BRAKE ROTOR	10	1
4	22002429	PULLEY	10	1
5	211089	LUG, STOP	10	1
6	211090	WASHER, LOCK Note: WASHER, LOCK (DRIVE LUG)	10	1
7	211375	SCREW, STOP LUG(CENTER SHAFT) Note: SCREW, DRIVE LUG	10	1
8	22002428	COVER, DUST (PLASTIC)	10	1
9	213325	CLIP, RETAINER	10	1
10	213326	SCREW, RETAINING CLIP Note: BOLT, RETAINING CLIP	10	1

*Color Code (-)=Not Shown #=Series, Serial Prefix or Run No., N=Not Available

Section: WIRING INFORMATION

Model: MAT12PDLGW



□ - INSULATED TERMINAL

